



**Your problem:** On one hand you need current limiting protection for medium voltage transformers and distribution systems that supply industrial plants, shopping centers, hospitals, schools, office buildings and underground residential service. On the other, you need high short-circuit current protection to avoid damages to busway, motors, switches and other equipment.

**Our solution:** Current-limiting power fuses are widely used in these applications because they afford excellent over-current protection and noiseless operation, and because they can be used in confined spaces. The amount of damage in the faulted area and the mechanical stress and strain on busway, switches and other apparatus carrying the fault current is proportional to the square of the current and to the length of time the fault persists. By limiting the let through energy at the fault, properly applied current-limiting fuses assist in limiting or preventing short-circuit damage to busway, circuit breakers, switches, and other electrical components. Current-limiting power fuses are manufactured in ratings ranging from 1kV through 38kV and in continuous current ratings from 0.5 amperes through 1200 amperes. Various designs are available for use with motors, transformers, capacitors, and circuit-protection equipment.

**Want more information fast?** For more technical or application-specific information, please call our Medium Voltage experts at 978-465-4853 or visit our website at [ep.mersen.com](http://ep.mersen.com).

# Medium Voltage Fuses

**VARIOUS TYPES -  
DIFFERENT  
CONFIGURATIONS -  
MANY RATINGS -  
ONE SOLUTION**

## Transformer Protection

- Amp-Trap® CS-3 and 9F60/9F62 Series . . . . . MV 2
- Amp-Trap® & 9F62 Bolt-In Series . . . . . MV 12
- Amp-Trap® CL-14 Series . . . . . MV 16

## Motor Protection

- Amp-Trap® & 9F60 Series . . . . . MV 20
- Amp-Trap® Bolt-in Series . . . . . MV 26
- Amp-Trap® DIN-style Series . . . . . MV 29

## Potential Transformer Protection

- Amp-Trap® & 9F60 Series PT Fuses . . . . . MV 31

## Capacitor Protection

- Amp-Trap® & 9F60 Series . . . . . MV 35



# Transformer Protection

Amp-Trap® CS-3 Series and 9F60/9F62 Series

## MEDIUM VOLTAGE FUSES

2.75KV, 5.5KV, 8.25KV, 15.5KV, 25.8KV AND 38KV  
FERRULE MOUNTED FUSES

M  
V



Mersen fuses for the protection of transformers and distribution lines deliver overload and short circuit protection. These current-limiting fuses will melt at current that can be as low as 1.7 times the fuse current ratings up to its maximum interrupting rating. These fuses are designed to withstand the transformer magnetizing inrush current. They have 2 (size C), 3 (size D) and 4 (size E) inch diameter barrels with ferrules and are mounted in spring reinforced clips.

## FEATURES/BENEFITS:

- Amp-Trap CS-3 and 9F62 series are UL listed for compatibility with UL listed equipment.
- Ferrule mounting for standard clips and interchangeability with other brands of fuses.
- Current-limiting for superior equipment protection.
- Non-venting for silent operation.
- Metal embossed catalog number and manufacturing date for lasting identification.
- Outdoor usage for the 9F62 and 9F60 type EJO.
- Blown-fuse indicator to give positive identification of open fuse:
  - Amp-Trap: 2" Barrel 1 lb tripped force - 0.19 Inch
  - Amp-Trap: 3" Barrel 2 lb tripped force - 0.50 Inch
  - 9F60/9F62: 0.125 lb tripped force - 0.20 Inch
- Accessories - see Section FB

## RATINGS

- See next page for listing

## HIGHLIGHTS:

- E-Rated
- UL listed
- Outdoor use



## APPLICATIONS:

- Protection for 2.4kV to 34.5kV transformers or distribution systems.

## APPROVALS:

- Some UL listed to standard File E143362



**DEFINITIONS:**

**General Purpose Current-Limiting Fuses** (Per IEEE Std C37.40-2003):

A general purpose current-limiting fuse is one that is capable of interrupting all currents from its rated interrupting current down to the current that causes melting of the fusible element(s) in one hour or more.

**E-Rating:** E-Rated fuses are general purpose fuses that operate as follows (Per ANSI C37.46-2000):

- 100E or less - must melt in 300 seconds (5 mins.) at 200 to 240% of E (ampere) rating.
- Over 100E - must melt in 600 seconds (10 mins.) at 220 to 264% of E (ampere) rating.
- Example: A 100E fuse must melt in 300 seconds with an applied current of 200 to 240 amperes.

**Power Distribution Fuses:**

Defines fuses designed prior to the time where the ANSI standards defined the term "General Purpose" and do not meet all of the general purpose definition. These fuses are capable of interrupting all currents above 2.2 to 3 times the fuse's rated current up to its maximum interrupting rating.

**FERRULE MOUNTED FUSES**

**Amp-Trap CS-3 Series:** (Indoors or outdoors in a weatherproof enclosure)

A055F: 5.5kV - AC: 5E to 450E - 63kA I.R. Sym

A825X: 8.25kV - AC: 10E to 200E - 50kA I.R. Sym

A155F: 15.5kV - AC: 5E to 200E - 50 kA I.R. Sym

**9F62 Series Type EJO-1:** (Indoors and outdoors)

9F62: 5.5kV - AC: 25A to 450A - 50kA IR Sym

9F62: 8.3kV - AC: 20A to 250A - 50 kA IR Sym

9F62: 15.5kV - AC: 20A to 200A - 50 kA IR Sym



**9F60 Series Type EJO-1:** (Indoors and outdoors)

9F60: 2.75kV - AC: 1E to 200E - 50kA IR Sym

9F60: 5.5kV - AC: 0.5E to 200E - 50kA IR Sym

9F60: 8.25kV - AC: 0.5E to 200E - 50kA IR Sym

9F60: 15.5kV - AC: 0.5E to 100E - 50kA to 120kA IR Sym

9F60: 25.8kV - AC: 0.5E to 100E - 25kA to 35kA IR Sym

9F60: 38kV - AC: 1E to 80E - 13kA to 26kA IR Sym



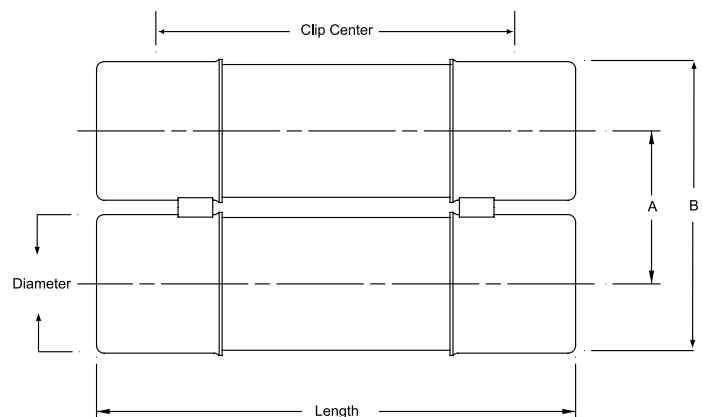
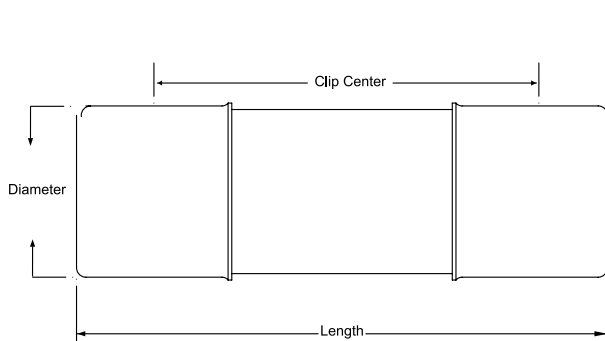
**9F60 Series Type EJ-1:** (Indoors or outdoors in a weatherproof enclosure)

9F60: 2.75kV - AC: 1E to 200E - 47kA to 52kA IR Sym

9F60: 5.5kV - AC: 0.5E to 25E - 63kA IR Sym

9F60: 15.5kV - AC: 2E to 175E - 31kA to 82kA IR Sym

9F60: 25.8kV - AC: 0.5E to 2E - 35kA IR Sym



9F series      A = 3.31 inches (84mm)

9F series      B = 6.16 inches (160mm)

Amp-Trap series A = 3.63 inches (92 mm)

Amp-Trap series B = 6.63 inches (169 mm)

### 2.75KV FERRULE MOUNTED FUSES:

#### 2.75kV Power Distribution fuses - 9F60 series, E-Rated EJ-1

7" (178 mm) Clip Centers - Suitable for use indoors or in an enclosure only

| Catalog No. | Amp Rating | No. of Barrels | Indicating | Diameter Inches (mm) | Length Inches (mm) | Max Voltage | Max IR RMS Sym | Fuse Support Indoor (EK-1) | Fuse Support Outdoor (EKO-1) | Fuse Disconnect Indoor (EK-3) | Fuse Disconnect Outdoor (EKO-3) |
|-------------|------------|----------------|------------|----------------------|--------------------|-------------|----------------|----------------------------|------------------------------|-------------------------------|---------------------------------|
| 9F60CCB001  | 1E         | 1              | Yes        | 2 (50.8)             | 9.18 (233)         | 2.75 kV     | 47kA           | 9F61AAB201                 | N/A                          | 9F61AAB205                    | N/A                             |
| 9F60CCB002  | 2E         |                |            |                      |                    |             |                |                            |                              |                               |                                 |
| 9F60CCB003  | 3E         |                |            |                      |                    |             |                |                            |                              |                               |                                 |
| 9F60CCB005  | 5E         |                |            |                      |                    |             |                |                            |                              |                               |                                 |
| 9F60CCB007  | 7E         |                |            |                      |                    |             |                |                            |                              |                               |                                 |
| 9F60CCB010  | 10E        |                |            |                      |                    |             |                |                            |                              |                               |                                 |
| 9F60CCB015  | 15E        | 1              | Yes        | 2 (50.8)             | 9.18 (233)         | 2.75 kV     | 52kA           | 9F61AAB201                 | N/A                          | 9F61AAB205                    | N/A                             |
| 9F60CCB020  | 20E        |                |            |                      |                    |             |                |                            |                              |                               |                                 |
| 9F60CCB025  | 25E        |                |            |                      |                    |             |                |                            |                              |                               |                                 |
| 9F60ECB030  | 30E        |                |            |                      |                    |             |                |                            |                              |                               |                                 |
| 9F60ECB040  | 40E        |                |            |                      |                    |             |                |                            |                              |                               |                                 |
| 9F60ECB050  | 50E        |                |            |                      |                    |             |                |                            |                              |                               |                                 |
| 9F60ECB065  | 65E        | 1              | Yes        | 3 (76.2)             | 10.88 (276)        | 2.75 kV     | 52kA           | 9F61AAB301                 | N/A                          | 9F61AAB305                    | N/A                             |
| 9F60ECB080  | 80E        |                |            |                      |                    |             |                |                            |                              |                               |                                 |
| 9F60ECB100  | 100E       |                |            |                      |                    |             |                |                            |                              |                               |                                 |
| 9F60GCB125  | 125E       |                |            |                      |                    |             |                |                            |                              |                               |                                 |
| 9F60GCB150  | 150E       |                |            |                      |                    |             |                |                            |                              |                               |                                 |
| 9F60GCB200  | 200E       |                |            |                      |                    |             |                |                            |                              |                               |                                 |
|             |            | 2              | Yes        | 3 (76.2)             | 10.88 (276)        | 2.75 kV     | 52kA           | 9F61AAB401                 | N/A                          | 9F61AAB405                    | N/A                             |
|             |            |                |            |                      |                    |             |                |                            |                              |                               |                                 |

#### 2.75kV Power Distribution fuses - 9F60 series, E-Rated EJ-1

9" (229 mm) Clip Centers - Suitable for use indoors or in an enclosure only

| Catalog No. | Amp Rating | No. of Barrels | Indicating | Diameter Inches (mm) | Length Inches (mm) | Max Voltage | Max IR RMS Sym | Fuse Support Indoor (EK-1) | Fuse Support Outdoor (EKO-1) | Fuse Disconnect Indoor (EK-3) | Fuse Disconnect Outdoor (EKO-3) |
|-------------|------------|----------------|------------|----------------------|--------------------|-------------|----------------|----------------------------|------------------------------|-------------------------------|---------------------------------|
| 9F60CEB001  | 1E         | 1              | Yes        | 2 (50.8)             | 11.18 (284)        | 2.75 kV     | 52kA           | 9F61ACB201                 | N/A                          | 9F61ACB205                    | N/A                             |
| 9F60CEB002  | 2E         |                |            |                      |                    |             |                |                            |                              |                               |                                 |
| 9F60CEB003  | 3E         |                |            |                      |                    |             |                |                            |                              |                               |                                 |
| 9F60CEB005  | 5E         |                |            |                      |                    |             |                |                            |                              |                               |                                 |
| 9F60CEB007  | 7E         |                |            |                      |                    |             |                |                            |                              |                               |                                 |
| 9F60CEB010  | 10E        |                |            |                      |                    |             |                |                            |                              |                               |                                 |
| 9F60CEB015  | 15E        |                |            |                      |                    |             |                |                            |                              |                               |                                 |
| 9F60CEB020  | 20E        |                |            |                      |                    |             |                |                            |                              |                               |                                 |
| 9F60CEB025  | 25E        |                |            |                      |                    |             |                |                            |                              |                               |                                 |

#### 2.75kV Power Distribution fuses - 9F60 Series, E-Rated EJO-1

12" (305 mm) Clip Centers - Suitable for use indoors or outdoors



| Catalog No | Amp Rating | No. of Barrels | Indicating | Diameter Inches (mm) | Length Inches (mm) | Max Voltage | Max IR RMS Sym | Fuse Support Indoor (EK-1) | Fuse Support Outdoor (EKO-1) | Fuse Disconnect Indoor (EK-3) | Fuse Disconnect Outdoor (EKO-3) |
|------------|------------|----------------|------------|----------------------|--------------------|-------------|----------------|----------------------------|------------------------------|-------------------------------|---------------------------------|
| 9F60DJB001 | 1E         | 1              | Yes        | 2 (50.8)             | 14.18 (360)        | 2.75 kV     | 50kA           | 9F61AEG201                 | 9F61CEF209                   | 9F61AEG205                    | 9F61CEF210                      |
| 9F60DJB002 | 2E         |                |            |                      |                    |             |                |                            |                              |                               |                                 |
| 9F60DJB003 | 3E         |                |            |                      |                    |             |                |                            |                              |                               |                                 |
| 9F60DJB005 | 5E         |                |            |                      |                    |             |                |                            |                              |                               |                                 |
| 9F60DJB007 | 7E         |                |            |                      |                    |             |                |                            |                              |                               |                                 |
| 9F60DJB010 | 10E        |                |            |                      |                    |             |                |                            |                              |                               |                                 |
| 9F60DJB015 | 15E        |                |            |                      |                    |             |                |                            |                              |                               |                                 |
| 9F60DJB020 | 20E        |                |            |                      |                    |             |                |                            |                              |                               |                                 |
| 9F60DJB025 | 25E        |                |            |                      |                    |             |                |                            |                              |                               |                                 |
| 9F60FJB030 | 30E        |                |            |                      |                    |             |                |                            |                              |                               |                                 |
| 9F60FJB040 | 40E        |                |            |                      |                    |             |                |                            |                              |                               |                                 |
| 9F60FJB050 | 50E        |                |            |                      |                    |             |                |                            |                              |                               |                                 |
| 9F60FJB065 | 65E        |                |            |                      |                    |             |                |                            |                              |                               |                                 |
| 9F60FJB080 | 80E        |                |            |                      |                    |             |                |                            |                              |                               |                                 |
| 9F60FJB100 | 100E       |                |            |                      |                    |             |                |                            |                              |                               |                                 |
| 9F60FJL030 | 30E        | 1              | No         | 3 (76.2)             | 15.88 (403)        | 2.75 kV     | 50kA           | 9F61AEB301                 | 9F61CEF309                   | 9F61AEB305                    | 9F61CEF310                      |
| 9F60FJL040 | 40E        |                |            |                      |                    |             |                |                            |                              |                               |                                 |
| 9F60FJL050 | 50E        |                |            |                      |                    |             |                |                            |                              |                               |                                 |
| 9F60FJL065 | 65E        |                |            |                      |                    |             |                |                            |                              |                               |                                 |
| 9F60FJL080 | 80E        |                |            |                      |                    |             |                |                            |                              |                               |                                 |
| 9F60FJL100 | 100E       |                |            |                      |                    |             |                |                            |                              |                               |                                 |
| 9F60HJB125 | 125E       | 2              | Yes        | 3 (76.2)             | 15.88 (403)        | 2.75 kV     | 50kA           | 9F61AEB401                 | 9F61CEF409                   | 9F61AEB405                    | 9F61CEF410                      |
| 9F60HJB150 | 150E       |                |            |                      |                    |             |                |                            |                              |                               |                                 |
| 9F60HJB200 | 200E       |                |            |                      |                    |             |                |                            |                              |                               |                                 |

**5.5KV FERRULE MOUNTED FUSES:**

**5.5kV Power Distribution fuses – 9F60 Series, E-Rated EJ-1**

9" (229 mm) Clip Centers - Suitable for use indoors or in an enclosure only

| Catalog No.  | Amp Rating | No. of Barrels | Indicating | Diameter Inches (mm) | Length Inches (mm) | Max Voltage | Max IR RMS Sym | Fuse Support Indoor (EK-1) | Fuse Support Outdoor (EK0-1) | Fuse Disconnect Indoor (EK-3) | Fuse Disconnect Outdoor (EK0-3) |
|--------------|------------|----------------|------------|----------------------|--------------------|-------------|----------------|----------------------------|------------------------------|-------------------------------|---------------------------------|
| 9F60CED905   | 0.5E       | 1              | Yes        | 2 (50.8)             | 11.18 (284)        | 5.5 kV      | 63kA           | 9F61ACB201                 | N/A                          | 9F61ACB205                    | N/A                             |
| 9F60CED001   | 1E         |                |            |                      |                    |             |                |                            |                              |                               |                                 |
| 9F60CED002   | 2E         |                |            |                      |                    |             |                |                            |                              |                               |                                 |
| 9F60CED003-S | 3E         |                |            |                      |                    |             |                |                            |                              |                               |                                 |
| 9F60CED005   | 5E         |                |            |                      |                    |             |                |                            |                              |                               |                                 |
| 9F60CED007   | 7E         |                |            |                      |                    |             |                |                            |                              |                               |                                 |
| 9F60CED010   | 10E        |                |            |                      |                    |             |                |                            |                              |                               |                                 |
| 9F60CED015   | 15E        |                |            |                      |                    |             |                |                            |                              |                               |                                 |
| 9F60CED020   | 20E        |                |            |                      |                    |             |                |                            |                              |                               |                                 |
| 9F60CED025   | 25E        |                |            |                      |                    |             |                |                            |                              |                               |                                 |
| 9F60CEND010  | 10E        |                | No         |                      |                    |             |                |                            |                              |                               |                                 |
| 9F60CEND015  | 15E        |                |            |                      |                    |             |                |                            |                              |                               |                                 |
| 9F60CEND020  | 20E        |                |            |                      |                    |             |                |                            |                              |                               |                                 |
| 9F60CEND025  | 25E        |                |            |                      |                    |             |                |                            |                              |                               |                                 |



**5.5kV E-Rated Amp-Trap CS-3 Series – UL Listed**

12" (305 mm) Clip Centers - Suitable for use indoors or in an enclosure only



| Catalog No.     | Amp Rating | No. of Barrels | Indicating | Diameter Inches (mm) | Length Inches (mm) | Max Voltage | Max IR RMS Sym | Fuse Support Indoor (EK-1) | Fuse Support Outdoor (EK0-1) | Fuse Disconnect Indoor (EK-3) | Fuse Disconnect Outdoor (EK0-3) |   |     |          |             |       |      |   |     |   |     |
|-----------------|------------|----------------|------------|----------------------|--------------------|-------------|----------------|----------------------------|------------------------------|-------------------------------|---------------------------------|---|-----|----------|-------------|-------|------|---|-----|---|-----|
| A055F1COR0-5E   | 5E         | 1              | Yes        | 2 (50.8)             | 14.18 (360)        | 5.5kV       | 63kA           | 9F61AEG201                 | N/A                          | 9F61AEG205                    | N/A                             |   |     |          |             |       |      |   |     |   |     |
| A055F1COR0-7E   | 7E         |                |            |                      |                    |             |                |                            |                              |                               |                                 |   |     |          |             |       |      |   |     |   |     |
| A055F1COR0-10E  | 10E        |                |            |                      |                    |             |                |                            |                              |                               |                                 |   |     |          |             |       |      |   |     |   |     |
| A055F1COR0-15E  | 15E        |                |            |                      |                    |             |                |                            |                              |                               |                                 |   |     |          |             |       |      |   |     |   |     |
| A055F1COR0-20E  | 20E        |                |            |                      |                    |             |                |                            |                              |                               |                                 |   |     |          |             |       |      |   |     |   |     |
| A055F1COR0-25E  | 25E        |                |            |                      |                    |             |                |                            |                              |                               |                                 |   |     |          |             |       |      |   |     |   |     |
| A055F1COR0-30E  | 30E        |                |            |                      |                    |             |                |                            |                              |                               |                                 |   |     |          |             |       |      |   |     |   |     |
| A055F1COR0-40E  | 40E        |                |            |                      |                    |             |                |                            |                              |                               |                                 |   |     |          |             |       |      |   |     |   |     |
| A055F1COR0-50E  | 50E        |                |            |                      |                    |             |                |                            |                              |                               |                                 |   |     |          |             |       |      |   |     |   |     |
| A055F1COR0-65E  | 65E        |                |            |                      |                    |             |                |                            |                              |                               |                                 |   |     |          |             |       |      |   |     |   |     |
| A055F1DOR0-10E  | 10E        | 1              | Yes        | 3 (76.2)             | 15.88 (403)        | 5.5kV       | 63kA           | 9F61AEB301                 | N/A                          | 9F61AEB305                    | N/A                             |   |     |          |             |       |      |   |     |   |     |
| A055F1DOR0-15E  | 15E        |                |            |                      |                    |             |                |                            |                              |                               |                                 |   |     |          |             |       |      |   |     |   |     |
| A055F1DOR0-20E  | 20E        |                |            |                      |                    |             |                |                            |                              |                               |                                 |   |     |          |             |       |      |   |     |   |     |
| A055F1DOR0-25E  | 25E        |                |            |                      |                    |             |                |                            |                              |                               |                                 |   |     |          |             |       |      |   |     |   |     |
| A055F1DOR0-30E  | 30E        |                |            |                      |                    |             |                |                            |                              |                               |                                 |   |     |          |             |       |      |   |     |   |     |
| A055F1DOR0-40E  | 40E        |                |            |                      |                    |             |                |                            |                              |                               |                                 |   |     |          |             |       |      |   |     |   |     |
| A055F1DOR0-50E  | 50E        |                |            |                      |                    |             |                |                            |                              |                               |                                 |   |     |          |             |       |      |   |     |   |     |
| A055F1DOR0-65E  | 65E        |                |            |                      |                    |             |                |                            |                              |                               |                                 |   |     |          |             |       |      |   |     |   |     |
| A055F1DOR0-80E  | 80E        |                |            |                      |                    |             |                |                            |                              |                               |                                 |   |     |          |             |       |      |   |     |   |     |
| A055F1DOR0-100E | 100E       |                |            |                      |                    |             |                |                            |                              |                               |                                 |   |     |          |             |       |      |   |     |   |     |
| A055F1DOR0-125E | 125E       |                |            |                      |                    |             |                |                            |                              |                               |                                 |   |     |          |             |       |      |   |     |   |     |
| A055F1DOR0-150E | 150E       |                |            |                      |                    |             |                |                            |                              |                               |                                 |   |     |          |             |       |      |   |     |   |     |
| A055F1DOR0-175E | 175E       |                |            |                      |                    |             |                |                            |                              |                               |                                 |   |     |          |             |       |      |   |     |   |     |
| A055F1DOR0-200E | 200E       |                |            |                      |                    |             |                |                            |                              |                               |                                 |   |     |          |             |       |      |   |     |   |     |
| A055F2DOR0-250E | 250E       |                |            |                      |                    |             |                |                            |                              |                               |                                 | 2 | Yes | 3 (76.2) | 15.88 (403) | 5.5kV | 63kA | - | N/A | - | N/A |
| A055F2DOR0-300E | 300E       |                |            |                      |                    |             |                |                            |                              |                               |                                 |   |     |          |             |       |      |   |     |   |     |
| A055F2DOR0-350E | 350E       |                |            |                      |                    |             |                |                            |                              |                               |                                 |   |     |          |             |       |      |   |     |   |     |
| A055F2DOR0-400E | 400E       |                |            |                      |                    |             |                |                            |                              |                               |                                 |   |     |          |             |       |      |   |     |   |     |
| A055F2DOR0-450E | 450E       |                |            |                      |                    |             |                |                            |                              |                               |                                 |   |     |          |             |       |      |   |     |   |     |

# TRANSFORMER PROTECTION

Amp-Trap® CS-3 Series and 9F60/9F62 Series

MEDIUM VOLTAGE  
FUSES

## 5.5kV General Purpose fuses – 9F62 Series, EJO-1 – UL Listed

12" (305 mm) Clip Centers - Suitable for use indoors or outdoors



| Catalog No. | Amp Rating | No. of Barrels | Indicating | Diameter Inches (mm) | Length Inches (mm) | Max Voltage | Max IR RMS Sym | Fuse Support Indoor (EK-1) | Fuse Support Outdoor (EK0-1) | Fuse Disconnect Indoor (EK-3) | Fuse Disconnect Outdoor (EK0-3) |
|-------------|------------|----------------|------------|----------------------|--------------------|-------------|----------------|----------------------------|------------------------------|-------------------------------|---------------------------------|
| 9F62HCB025  | 25         | 1              | Yes        | 2 (50.8)             | 14.18 (360)        | 5.5 kV      | 80kA           | 9F61AEG201                 | 9F61CEF209                   | 9F61AEG205                    | 9F61CEF210                      |
| 9F62HCB030  | 30         |                |            |                      |                    |             |                |                            |                              |                               |                                 |
| 9F62HCB040  | 40         |                |            |                      |                    |             |                |                            |                              |                               |                                 |
| 9F62HCB050  | 50         |                |            |                      |                    |             |                |                            |                              |                               |                                 |
| 9F62HCB065  | 65         |                |            |                      |                    |             |                |                            |                              |                               |                                 |
| 9F62DCB080  | 80         | 1              | Yes        | 3 (76.2)             | 15.88 (403)        | 5.5 kV      | 80kA           | 9F61AEB301                 | 9F61CEF309                   | 9F61AEB305                    | 9F61CEF310                      |
| 9F62DCB100  | 100        |                |            |                      |                    |             |                |                            |                              |                               |                                 |
| 9F62DCB125  | 125        |                |            |                      |                    |             |                |                            |                              |                               |                                 |
| 9F62DCB150  | 150        |                |            |                      |                    |             |                |                            |                              |                               |                                 |
| 9F62DCB175  | 175        |                |            |                      |                    |             |                |                            |                              |                               |                                 |
| 9F62DCB200  | 200        | 2              | Yes        | 3 (76.2)             | 15.88 (403)        | 5.5 kV      | 80kA           | 9F61AEB401                 | 9F61CEF409                   | 9F61AEB405                    | 9F61CEF410                      |
| 9F62FCB250  | 250        |                |            |                      |                    |             |                |                            |                              |                               |                                 |
| 9F62FCB300  | 300        |                |            |                      |                    |             |                |                            |                              |                               |                                 |
| 9F62FCB350  | 350        |                |            |                      |                    |             |                |                            |                              |                               |                                 |
| 9F62FCB400  | 400        |                |            |                      |                    |             |                |                            |                              |                               |                                 |
| 9F62FCB450  | 450        |                |            |                      |                    |             |                |                            |                              |                               |                                 |

## 5.5kV General Purpose fuses – 9F62 Series, EJO-1 – UL Listed

12" (305 mm) Clip Centers - Suitable for use indoors or outdoors. Non-indicating for Class 1, Division 2 locations.



| Catalog No. | Amp Rating | No. of Barrels | Indicating | Diameter Inches (mm) | Length Inches (mm) | Max Voltage | Max IR RMS Sym. | Fuse Support Indoor (EK-1) | Fuse Support Outdoor (EK0-1) | Fuse Disconnect Indoor (EK-3) | Fuse Disconnect Outdoor (EK0-3) |
|-------------|------------|----------------|------------|----------------------|--------------------|-------------|-----------------|----------------------------|------------------------------|-------------------------------|---------------------------------|
| 9F62HCJ025  | 25         | 1              | No         | 2 (50.8)             |                    | 5.5 kV      | 50kA            | 9F61AEG201                 | 9F61CEF209                   | 9F61AEG205                    | 9F61CEF210                      |
| 9F62HCJ030  | 30         |                |            |                      |                    |             |                 |                            |                              |                               |                                 |
| 9F62HCJ040  | 40         |                |            |                      |                    |             |                 |                            |                              |                               |                                 |
| 9F62HCJ050  | 50         |                |            |                      |                    |             |                 |                            |                              |                               |                                 |
| 9F62HCJ065  | 65         |                |            |                      |                    |             |                 |                            |                              |                               |                                 |
| 9F62DCJ080  | 80         | 1              | No         | 3 (76.2)             |                    | 5.5 kV      | 50kA            | 9F61AEB301                 | 9F61CEF309                   | 9F61AEB305                    | 9F61CEF310                      |
| 9F62DCJ100  | 100        |                |            |                      |                    |             |                 |                            |                              |                               |                                 |
| 9F62DCJ125  | 125        |                |            |                      |                    |             |                 |                            |                              |                               |                                 |
| 9F62DCJ150  | 150        |                |            |                      |                    |             |                 |                            |                              |                               |                                 |
| 9F62DCJ175  | 175        |                |            |                      |                    |             |                 |                            |                              |                               |                                 |
| 9F62DCJ200  | 200        | 2              | No         | 3 (76.2)             |                    | 5.5 kV      | 50kA            | 9F61AEB401                 | 9F61CEF409                   | 9F61AEB405                    | 9F61CEF410                      |
| 9F62FCJ250  | 250        |                |            |                      |                    |             |                 |                            |                              |                               |                                 |
| 9F62FCJ300  | 300        |                |            |                      |                    |             |                 |                            |                              |                               |                                 |
| 9F62FCJ350  | 350        |                |            |                      |                    |             |                 |                            |                              |                               |                                 |
| 9F62FCJ400  | 400        |                |            |                      |                    |             |                 |                            |                              |                               |                                 |
| 9F62FCJ450  | 450        |                |            |                      |                    |             |                 |                            |                              |                               |                                 |

## 5.5kV Power Distribution fuses – 9F60 Series, E-Rated EJO-1

12" (305 mm) Clip Centers - Suitable for use indoors or outdoors



| Catalog No. | Amp Rating | No. of Barrels | Indicating | Diameter Inches (mm) | Length Inches (mm) | Max Voltage | Max IR RMS Sym | Fuse Support Indoor (EK-1) | Fuse Support Outdoor (EK0-1) | Fuse Disconnect Indoor (EK-3) | Fuse Disconnect Outdoor (EK0-3) |
|-------------|------------|----------------|------------|----------------------|--------------------|-------------|----------------|----------------------------|------------------------------|-------------------------------|---------------------------------|
| 9F60JD0905  | 0.5E       | 1              | Yes        | 2 (50.8)             | 14.18 (360)        | 5.5 kV      | 50kA           | 9F61AEG201                 | 9F61CEF209                   | 9F61AEG205                    | 9F61CEF210                      |
| 9F60JD001   | 1E         |                |            |                      |                    |             |                |                            |                              |                               |                                 |
| 9F60JD002   | 2E         |                |            |                      |                    |             |                |                            |                              |                               |                                 |
| 9F60JD003   | 3E         |                |            |                      |                    |             |                |                            |                              |                               |                                 |
| 9F60JD005   | 5E         |                |            |                      |                    |             |                |                            |                              |                               |                                 |
| 9F60JD007   | 7E         |                |            |                      |                    |             |                |                            |                              |                               |                                 |
| 9F60JD010   | 10E        |                |            |                      |                    |             |                |                            |                              |                               |                                 |
| 9F60JD015   | 15E        |                |            |                      |                    |             |                |                            |                              |                               |                                 |
| 9F60JD020   | 20E        |                |            |                      |                    |             |                |                            |                              |                               |                                 |
| 9F60JD025   | 25E        |                |            |                      |                    |             |                |                            |                              |                               |                                 |
| 9F60FJD030  | 30E        | 1              | Yes        | 3 (76.2)             | 15.88 (403)        | 5.5 kV      | 50kA           | 9F61AEB301                 | 9F61CEF309                   | 9F61AEB305                    | 9F61CEF310                      |
| 9F60FJD040  | 40E        |                |            |                      |                    |             |                |                            |                              |                               |                                 |
| 9F60FJD050  | 50E        |                |            |                      |                    |             |                |                            |                              |                               |                                 |
| 9F60FJD065  | 65E        |                |            |                      |                    |             |                |                            |                              |                               |                                 |
| 9F60FJD080  | 80E        |                |            |                      |                    |             |                |                            |                              |                               |                                 |
| 9F60FJD100  | 100E       | 2              | Yes        | 3 (76.2)             | 15.88 (403)        | 5.5 kV      | 50kA           | 9F61AEB401                 | 9F61CEF409                   | 9F61AEB405                    | 9F61CEF410                      |
| 9F60HJD125  | 125E       |                |            |                      |                    |             |                |                            |                              |                               |                                 |
| 9F60HJD150  | 150E       |                |            |                      |                    |             |                |                            |                              |                               |                                 |
| 9F60HJD200  | 200E       |                |            |                      |                    |             |                |                            |                              |                               |                                 |

**8.25KV / 8.3KV FERRULE MOUNTED FUSES:**

**8.25kV E-Rated Amp-Trap CS-3 Series**

12" (305 mm) Clip Centers - Suitable for use indoors or in an enclosure only

| Catalog No. | Amp Rating | No. of Barrels | Indicating | Diameter Inches (mm) | Length Inches (mm) | Max Voltage | Max IR RMS Sym | Fuse Support Indoor [EK-1] | Fuse Support Outdoor [EK0-1] | Fuse Disconnect Indoor [EK-3] | Fuse Disconnect Outdoor [EK0-3] |
|-------------|------------|----------------|------------|----------------------|--------------------|-------------|----------------|----------------------------|------------------------------|-------------------------------|---------------------------------|
| A825X10E-1  | 10E        | 1              | Yes        | 3 (76.2)             | 15.88 (403)        | 8.25kV      | 50kA           | 9F61AEG301                 | N/A                          | 9F61AEG305                    | N/A                             |
| A825X15E-1  | 15E        |                |            |                      |                    |             |                |                            |                              |                               |                                 |
| A825X20E-1  | 20E        |                |            |                      |                    |             |                |                            |                              |                               |                                 |
| A825X25E-1  | 25E        |                |            |                      |                    |             |                |                            |                              |                               |                                 |
| A825X30E-1  | 30E        |                |            |                      |                    |             |                |                            |                              |                               |                                 |
| A825X40E-1  | 40E        |                |            |                      |                    |             |                |                            |                              |                               |                                 |
| A825X50E-1  | 50E        |                |            |                      |                    |             |                |                            |                              |                               |                                 |
| A825X65E-1  | 65E        |                |            |                      |                    |             |                |                            |                              |                               |                                 |
| A825X80E-1  | 80E        |                |            |                      |                    |             |                |                            |                              |                               |                                 |
| A825X100E-1 | 100E       |                |            |                      |                    |             |                |                            |                              |                               |                                 |
| A825X125E-1 | 125E       | 2              | Yes        | 3 (76.2)             | 15.88 (403)        | 8.25kV      | 50kA           | -                          | N/A                          | -                             | N/A                             |
| A825X150E-1 | 150E       |                |            |                      |                    |             |                |                            |                              |                               |                                 |
| A825X200E-1 | 200E       |                |            |                      |                    |             |                |                            |                              |                               |                                 |



**8.3kV General Purpose fuses - 9F62 Series, EJO-1 - UL Listed**

12" (305 mm) Clip Centers - Suitable for use indoors or outdoors



| Catalog No. | Amp Rating | No. of Barrels | Indicating | Diameter Inches (mm) | Length Inches (mm) | Max Voltage | Max IR RMS Sym | Fuse Support Indoor [EK-1] | Fuse Support Outdoor [EK0-1] | Fuse Disconnect Indoor [EK-3] | Fuse Disconnect Outdoor [EK0-3] |
|-------------|------------|----------------|------------|----------------------|--------------------|-------------|----------------|----------------------------|------------------------------|-------------------------------|---------------------------------|
| 9F62HCC020  | 20A        | 1              | Yes        | 2 (50.8)             | 14.18 (360)        | 8.3 kV      | 50kA           | 9F61AEG201                 | 9F61CEF209                   | 9F61AEG205                    | 9F61CEF210                      |
| 9F62HCC025  | 25A        |                |            |                      |                    |             |                |                            |                              |                               |                                 |
| 9F62HCC030  | 30A        |                |            |                      |                    |             |                |                            |                              |                               |                                 |
| 9F62HCC040  | 40A        |                |            |                      |                    |             |                |                            |                              |                               |                                 |
| 9F62HCC050  | 50A        |                |            |                      |                    |             |                |                            |                              |                               |                                 |
| 9F62DCC065  | 65A        | 1              | Yes        | 3 (76.2)             | 15.88 (403)        | 8.3 kV      | 50kA           | 9F61AEG301                 | 9F61CEF309                   | 9F61AEG305                    | 9F61CEF310                      |
| 9F62DCC080  | 80A        |                |            |                      |                    |             |                |                            |                              |                               |                                 |
| 9F62DCC100  | 100A       |                |            |                      |                    |             |                |                            |                              |                               |                                 |
| 9F62DCC125  | 125A       |                |            |                      |                    |             |                |                            |                              |                               |                                 |
| 9F62DCC150  | 150A       |                |            |                      |                    |             |                |                            |                              |                               |                                 |
| 9F62FCC175  | 175A       | 2              | Yes        | 3 (76.2)             | 15.88 (403)        | 8.3 kV      | 50kA           | 9F61AEG401                 | 9F61CEF409                   | 9F61AEG405                    | 9F61CEF410                      |
| 9F62FCC200  | 200A       |                |            |                      |                    |             |                |                            |                              |                               |                                 |
| 9F62FCC250  | 250A       |                |            |                      |                    |             |                |                            |                              |                               |                                 |

**8.25kV Power Distribution fuses - 9F60 Series, E-Rated EJO-1**

12" (305 mm) Clip Centers - Suitable for use indoors or outdoors



| Catalog No. | Amp Rating | No. of Barrels | Indicating | Diameter Inches (mm) | Length Inches (mm) | Max Voltage | Max IR RMS Sym | Fuse Support Indoor [EK-1] | Fuse Support Outdoor [EK0-1] | Fuse Disconnect Indoor [EK-3] | Fuse Disconnect Outdoor [EK0-3] |   |     |          |             |         |      |            |            |            |            |
|-------------|------------|----------------|------------|----------------------|--------------------|-------------|----------------|----------------------------|------------------------------|-------------------------------|---------------------------------|---|-----|----------|-------------|---------|------|------------|------------|------------|------------|
| 9F60DJE905  | 0.5E       | 1              | Yes        | 2 (50.8)             | 14.18 (360)        | 8.25 kV     | 50kA           | 9F61AEG201                 | 9F61CEF209                   | 9F61AEG205                    | 9F61CEF210                      |   |     |          |             |         |      |            |            |            |            |
| 9F60DJE001  | 1E         |                |            |                      |                    |             |                |                            |                              |                               |                                 |   |     |          |             |         |      |            |            |            |            |
| 9F60DJE002  | 2E         |                |            |                      |                    |             |                |                            |                              |                               |                                 |   |     |          |             |         |      |            |            |            |            |
| 9F60DJE003  | 3E         |                |            |                      |                    |             |                |                            |                              |                               |                                 |   |     |          |             |         |      |            |            |            |            |
| 9F60DJE005  | 5E         |                |            |                      |                    |             |                |                            |                              |                               |                                 |   |     |          |             |         |      |            |            |            |            |
| 9F60DJE007  | 7E         |                |            |                      |                    |             |                |                            |                              |                               |                                 |   |     |          |             |         |      |            |            |            |            |
| 9F60DJE010  | 10E        |                |            |                      |                    |             |                |                            |                              |                               |                                 |   |     |          |             |         |      |            |            |            |            |
| 9F60DJE015  | 15E        |                |            |                      |                    |             |                |                            |                              |                               |                                 |   |     |          |             |         |      |            |            |            |            |
| 9F60FJE020  | 20E        |                |            |                      |                    |             |                |                            |                              |                               |                                 | 1 | Yes | 3 (76.2) | 15.88 (403) | 8.25 kV | 50kA | 9F61AEG301 | 9F61CEF309 | 9F61AEG305 | 9F61CEF310 |
| 9F60FJE025  | 25E        |                |            |                      |                    |             |                |                            |                              |                               |                                 |   |     |          |             |         |      |            |            |            |            |
| 9F60FJE030  | 30E        |                |            |                      |                    |             |                |                            |                              |                               |                                 |   |     |          |             |         |      |            |            |            |            |
| 9F60FJE040  | 40E        |                |            |                      |                    |             |                |                            |                              |                               |                                 |   |     |          |             |         |      |            |            |            |            |
| 9F60FJE050  | 50E        |                |            |                      |                    |             |                |                            |                              |                               |                                 |   |     |          |             |         |      |            |            |            |            |
| 9F60FJE065  | 65E        |                |            |                      |                    |             |                |                            |                              |                               |                                 |   |     |          |             |         |      |            |            |            |            |
| 9F60FJE080  | 80E        |                |            |                      |                    |             |                |                            |                              |                               |                                 |   |     |          |             |         |      |            |            |            |            |
| 9F60FJE100  | 100E       |                |            |                      |                    |             |                |                            |                              |                               |                                 |   |     |          |             |         |      |            |            |            |            |
| 9F60HJE125  | 125E       | 2              | Yes        | 3 (76.2)             | 15.88 (403)        | 8.25 kV     | 50kA           | 9F61AEG401                 | 9F61CEF409                   | 9F61AEG405                    | 9F61CEF410                      |   |     |          |             |         |      |            |            |            |            |
| 9F60HJE150  | 150E       |                |            |                      |                    |             |                |                            |                              |                               |                                 |   |     |          |             |         |      |            |            |            |            |
| 9F60HJE200  | 200E       |                |            |                      |                    |             |                |                            |                              |                               |                                 |   |     |          |             |         |      |            |            |            |            |

### 15KV / 15.5KV FERRULE MOUNTED FUSES:

#### 15.5kV Power Distribution fuses – 9F60 Series, E-Rated EJ-1

12" (305 mm) Clip Centers - Suitable for use indoors or in an enclosure only

| Catalog No. | Amp Rating | No. of Barrels | Indicating | Diameter Inches (mm) | Length Inches (mm) | Max Voltage | Max IR RMS Sym | Fuse Support Indoor (EK-1) | Fuse Support Outdoor (EK0-1) | Fuse Disconnect Indoor (EK-3) | Fuse Disconnect Outdoor (EK0-3) |
|-------------|------------|----------------|------------|----------------------|--------------------|-------------|----------------|----------------------------|------------------------------|-------------------------------|---------------------------------|
| 9F60CJH002  | 2E         | 1              | Yes        | 2 (50.8)             | 14.18 (360)        | 15.5 kV     | 82kA           | 9F61AEG201                 | N/A                          | 9F61AEG205                    | N/A                             |
| 9F60CJH003  | 3E         |                |            |                      |                    |             |                |                            |                              |                               |                                 |
| 9F60CJH005  | 5E         |                |            |                      |                    |             |                |                            |                              |                               |                                 |
| 9F60CJH007  | 7E         |                |            |                      |                    |             |                |                            |                              |                               |                                 |
| 9F60CJH010  | 10E        |                |            |                      |                    |             |                |                            |                              |                               |                                 |

#### 15.5kV Power Distribution fuses – 9F60 Series, E-Rated EJO-1

15" (381 mm) Clip Centers - Suitable for use indoors or outdoors



| Catalog No. | Amp Rating | No. of Barrels | Indicating | Diameter Inches (mm) | Length Inches (mm) | Max Voltage | Max IR RMS Sym | Fuse Support Indoor (EK-1)  | Fuse Support Outdoor (EK0-1) | Fuse Disconnect Indoor (EK-3)   | Fuse Disconnect Outdoor (EK0-3) |
|-------------|------------|----------------|------------|----------------------|--------------------|-------------|----------------|---|------------------------------|---|---------------------------------|
| 9F60DMH905  | 0.5E       | 1              | Yes        | 2 (50.8)             | 17.2 (437)         | 15.5 kV     | 120kA          | 9F61AGG201 (13.8kV nominal - 95kV BIL)<br>9F61AGJ201 (14.4kV nominal - 110kV BIL) | 9F61CGL209                   | 9F61AGG205 (13.8kV nominal - 95kV BIL)<br>9F61AGJ205 (14.4kV nominal - 110kV BIL) | 9F61CGL210                      |
| 9F60DMH001  | 1E         |                |            |                      |                    |             |                |   |                              |   |                                 |
| 9F60DMH002  | 2E         |                |            |                      |                    |             |                |   |                              |   |                                 |
| 9F60DMH003  | 3E         |                |            |                      |                    |             |                |   |                              |   |                                 |
| 9F60DMH005  | 5E         |                |            |                      |                    |             |                |   |                              |   |                                 |
| 9F60DMH007  | 7E         |                |            |                      |                    |             |                |   |                              |   |                                 |
| 9F60DMH010  | 10E        |                |            |                      |                    |             |                |   |                              |   |                                 |
| 9F60FMH015  | 15E        | 1              | Yes        | 3 (76.2)             | 18.88 (480)        | 15.5 kV     | 50kA           | 9F61AGG301 (13.8kV nominal - 95kV BIL)<br>9F61AGJ301 (14.4kV nominal - 110kV BIL) | 9F61CGL309                   | 9F61AGG305 (13.8kV nominal - 95kV BIL)<br>9F61AGJ305 (14.4kV nominal - 110kV BIL) | 9F61CGL310                      |
| 9F60FMH020  | 20E        |                |            |                      |                    |             |                |   |                              |   |                                 |
| 9F60FMH025  | 25E        |                |            |                      |                    |             |                |   |                              |   |                                 |
| 9F60FMH030  | 30E        |                |            |                      |                    |             |                |   |                              |   |                                 |
| 9F60FMH040  | 40E        |                |            |                      |                    |             |                |   |                              |   |                                 |
| 9F60FMH050  | 50E        |                |            |                      |                    |             |                |   |                              |   |                                 |
| 9F60HMH065  | 65E        | 2              | Yes        | 3 (76.2)             | 18.88 (480)        | 15.5 kV     | 50kA           | 9F61AGG401 (13.8kV nominal - 95kV BIL)<br>9F61AGJ401 (14.4kV nominal - 110kV BIL) | 9F61CGL409                   | 9F61AGG405 (13.8kV nominal - 95kV BIL)<br>9F61AGJ405 (14.4kV nominal - 110kV BIL) | 9F61CGL410                      |
| 9F60HMH080  | 80E        |                |            |                      |                    |             |                |   |                              |   |                                 |
| 9F60HMH100  | 100E       |                |            |                      |                    |             |                |   |                              |   |                                 |

MV

**15.5kV General Purpose fuses – 9F62 Series, EJO-1 – UL Listed**  
15" (381 mm) Clip Centers - Suitable for use indoors or outdoors



| Catalog No. | Amp Rating | No. of Barrels | Indicating | Diameter Inches (mm) | Length Inches (mm) | Max Voltage | Max IR RMS Sym | Fuse Support Indoor (EK-1)  | Fuse Support Outdoor (EK0-1) | Fuse Disconnect Indoor (EK-3)   | Fuse Disconnect Outdoor (EK0-3) |
|-------------|------------|----------------|------------|----------------------|--------------------|-------------|----------------|---|------------------------------|---|---------------------------------|
| 9F62DDD050  | 50A        | 1              | Yes        | 3 (76.2)             | 18.88 (480)        | 15.5 kV     | 50kA           | 9F61AGG301 (13.8kV nominal - 95kV BIL)<br>9F61AGJ301 (14.4kV nominal - 110kV BIL) | 9F61CGL309                   | 9F61AGG305 (13.8kV nominal - 95kV BIL)<br>9F61AGJ305 (14.4kV nominal - 110kV BIL) | 9F61CGL310                      |
| 9F62DDD065  | 65A        |                |            |                      |                    |             |                |   |                              |   |                                 |
| 9F62DDD080  | 80A        |                |            |                      |                    |             |                |   |                              |   |                                 |
| 9F62DDD100  | 100A       |                |            |                      |                    |             |                |   |                              |   |                                 |
| 9F62FDD125  | 125A       | 2              | Yes        | 3 (76.2)             | 18.88 (480)        | 15.5 kV     | 50kA           | 9F61AGG401 (13.8kV nominal - 95kV BIL)<br>9F61AGJ401 (14.4kV nominal - 110kV BIL) | 9F61CGL409                   | 9F61AGG405 (13.8kV nominal - 95kV BIL)<br>9F61AGJ405 (14.4kV nominal - 110kV BIL) | 9F61CGL410                      |
| 9F62FDD150  | 150A       |                |            |                      |                    |             |                |   |                              |   |                                 |
| 9F62FDD175  | 175A       |                |            |                      |                    |             |                |   |                              |   |                                 |
| 9F62FDD200  | 200A       |                |            |                      |                    |             |                |   |                              |   |                                 |

**15.5kV E-Rated Amp-Trap CS-3 series – UL Listed**  
15" (381 mm) Clip Centers - Suitable for use indoors or in an enclosure only



| Catalog No.     | Amp Rating | No. of Barrels | Indicating | Diameter Inches (mm) | Length Inches (mm) | Max Voltage | Max IR RMS Sym | Fuse Support Indoor (EK-1)  | Fuse Support Outdoor (EK0-1) | Fuse Disconnect Indoor (EK-3)   | Fuse Disconnect Outdoor (EK0-3) |
|-----------------|------------|----------------|------------|----------------------|--------------------|-------------|----------------|---|------------------------------|---|---------------------------------|
| A155F1CORO-5E   | 5E         | 1              | Yes        | 2 (50.8)             | 17.03 (433)        | 15.5kV      | 50kA           | 9F61AGG201 (13.8kV nominal - 95kV BIL)<br>9F61AGJ201 (14.4kV nominal - 110kV BIL) | N/A                          | 9F61AGG205 (13.8kV nominal - 95kV BIL)<br>9F61AGJ205 (14.4kV nominal - 110kV BIL) | N/A                             |
| A155F1CORO-7E   | 7E         |                |            |                      |                    |             |                |   |                              |   |                                 |
| A155F1CORO-10E  | 10E        |                |            |                      |                    |             |                |   |                              |   |                                 |
| A155F1CORO-15E  | 15E        |                |            |                      |                    |             |                |   |                              |   |                                 |
| A155F1CORO-20E  | 20E        |                |            |                      |                    |             |                |   |                              |   |                                 |
| A155F1CORO-25E  | 25E        |                |            |                      |                    |             |                |   |                              |   |                                 |
| A155F1CORO-30E  | 30E        | 1              | Yes        | 3 (76.2)             | 18.87 (479)        | 15.5kV      | 50kA           | 9F61AGG301 (13.8kV nominal - 95kV BIL)<br>9F61AGJ301 (14.4kV nominal - 110kV BIL) | N/A                          | 9F61AGG305 (13.8kV nominal - 95kV BIL)<br>9F61AGJ305 (14.4kV nominal - 110kV BIL) | N/A                             |
| A155F1DORO-10E  | 10E        |                |            |                      |                    |             |                |   |                              |   |                                 |
| A155F1DORO-15E  | 15E        |                |            |                      |                    |             |                |   |                              |   |                                 |
| A155F1DORO-20E  | 20E        |                |            |                      |                    |             |                |   |                              |   |                                 |
| A155F1DORO-25E  | 25E        |                |            |                      |                    |             |                |   |                              |   |                                 |
| A155F1DORO-30E  | 30E        |                |            |                      |                    |             |                |   |                              |   |                                 |
| A155F1DORO-40E  | 40E        | 2              | Yes        | 3 (76.2)             | 18.87 (479)        | 15.5kV      | 50kA           | -   | N/A                          | -   | N/A                             |
| A155F1DORO-50E  | 50E        |                |            |                      |                    |             |                |   |                              |   |                                 |
| A155F2DORO-65E  | 65E        |                |            |                      |                    |             |                |   |                              |   |                                 |
| A155F2DORO-80E  | 80E        |                |            |                      |                    |             |                |   |                              |   |                                 |
| A155F2DORO-100E | 100E       |                |            |                      |                    |             |                |   |                              |   |                                 |

**15.5kV E-Rated Amp-Trap CS-3 series – UL Listed**  
18" (457 mm) Clip Centers - Suitable for use indoors or in an enclosure only



| Catalog No.     | Amp Rating | No. of Barrels | Indicating | Diameter Inches (mm) | Length Inches (mm) | Max Voltage | Max IR RMS Sym | Fuse Support Indoor (EK-1) | Fuse Support Outdoor (EK0-1) | Fuse Disconnect Indoor (EK-3) | Fuse Disconnect Outdoor (EK0-3) |
|-----------------|------------|----------------|------------|----------------------|--------------------|-------------|----------------|----------------------------|------------------------------|-------------------------------|---------------------------------|
| A155F1DORO-65E  | 65E        | 1              | Yes        | 3 (76.2)             | 21.75 (552)        | 15.5kV      | 50kA           | -                          | N/A                          | -                             | N/A                             |
| A155F1DORO-80E  | 80E        |                |            |                      |                    |             |                |                            |                              |                               |                                 |
| A155F1DORO-100E | 100E       |                |            |                      |                    |             |                |                            |                              |                               |                                 |
| A155F2DORO-125E | 125E       | 2              | Yes        | 3 (76.2)             | 21.75 (552)        | 15.5kV      | 50kA           | -                          | N/A                          | -                             | N/A                             |
| A155F2DORO-150E | 150E       |                |            |                      |                    |             |                |                            |                              |                               |                                 |
| A155F2DORO-175E | 175E       |                |            |                      |                    |             |                |                            |                              |                               |                                 |
| A155F2DORO-200E | 200E       |                |            |                      |                    |             |                |                            |                              |                               |                                 |



## 25.8KV FERRULE MOUNTED FUSES:

### 25.8kV Power Distribution fuses – 9F60 Series, E-Rated EJ-1

15" (381 mm) Clip Centers - Suitable for use indoors or in an enclosure only

| Catalog No. | Amp Rating | No. of Barrels | Indicating | Diameter Inches (mm) | Length Inches (mm) | Max Voltage | Max IR RMS Sym | Fuse Support Indoor (EK-1) | Fuse Support Outdoor (EK0-1) | Fuse Disconnect Indoor (EK-3) | Fuse Disconnect Outdoor (EK0-3) |
|-------------|------------|----------------|------------|----------------------|--------------------|-------------|----------------|----------------------------|------------------------------|-------------------------------|---------------------------------|
| 9F60CMJ905  | 0.5E       | 1              | Yes        | 2 (50.8)             | 17.20 (437)        | 25.8 kV     | 35kA*          | -                          | N/A                          | -                             | N/A                             |
| 9F60CMJ001  | 1E         |                |            |                      |                    |             |                |                            |                              |                               |                                 |
| 9F60CMJ002  | 2E         |                |            |                      |                    |             |                |                            |                              |                               |                                 |

\* These fuses were designed and originally tested at a higher maximum interrupting rating value. Consult factory for further information.

### 25.8kV Power Distribution fuses – 9F60 Series, E-Rated EJO-1

21" (533 mm) Clip Centers - Suitable for use indoors or outdoors



| Catalog No. | Amp Rating | No. of Barrels | Indicating | Diameter Inches (mm) | Length Inches (mm) | Max Voltage | Max IR RMS Sym | Fuse Support Indoor (EK-1) | Fuse Support Outdoor (EK0-1) | Fuse Disconnect Indoor (EK-3) | Fuse Disconnect Outdoor (EK0-3) |
|-------------|------------|----------------|------------|----------------------|--------------------|-------------|----------------|----------------------------|------------------------------|-------------------------------|---------------------------------|
| 9F60DNJ905  | 0.5E       | 1              | Yes        | 2 (50.8)             | 23.18 (589)        | 25.8 kV     | 35kA*          | 9F61AHM201                 | 9F61CHM209                   | 9F61AHM205                    | 9F61CHM210                      |
| 9F60DNJ001  | 1E         |                |            |                      |                    |             |                |                            |                              |                               |                                 |
| 9F60DNJ002  | 2E         |                |            |                      |                    |             |                |                            |                              |                               |                                 |
| 9F60DNJ003  | 3E         |                |            |                      |                    |             |                |                            |                              |                               |                                 |
| 9F60DNJ005  | 5E         |                |            |                      |                    |             |                |                            |                              |                               |                                 |
| 9F60DNJ007  | 7E         |                |            |                      |                    |             |                |                            |                              |                               |                                 |
| 9F60DNJ010  | 10E        |                |            |                      |                    |             |                |                            |                              |                               |                                 |
| 9F60FNJ015  | 15E        | 1              | Yes        | 3 (76.2)             | 24.81 (630)        | 25.8 kV     | 25kA           | 9F61AHM301                 | 9F61CHM309                   | 9F61AHM305                    | 9F61CHM310                      |
| 9F60FNJ020  | 20E        |                |            |                      |                    |             |                |                            |                              |                               |                                 |
| 9F60FNJ025  | 25E        |                |            |                      |                    |             |                |                            |                              |                               |                                 |
| 9F60FNJ030  | 30E        |                |            |                      |                    |             |                |                            |                              |                               |                                 |
| 9F60FNJ040  | 40E        |                |            |                      |                    |             |                |                            |                              |                               |                                 |
| 9F60FNJ050  | 50E        |                |            |                      |                    |             |                |                            |                              |                               |                                 |
| 9F60HNJ065  | 65E        |                |            |                      |                    |             |                |                            |                              |                               |                                 |
| 9F60HNJ080  | 80E        | 2              | Yes        | 3 (76.2)             | 24.81 (630)        | 25.8 kV     | 25kA           | 9F61AHM401                 | 9F61CHM409                   | 9F61AHM405                    | 9F61CHM410                      |
| 9F60HNJ100  | 100E       |                |            |                      |                    |             |                |                            |                              |                               |                                 |

\* These fuses were designed and originally tested at a higher maximum interrupting rating value. Consult factory for further information.

**38KV FERRULE MOUNTED FUSES:**

**38kV Power Distribution fuses – 9F60 Series, E-Rated EJO-1**

27" (686 mm) Clip Centers - Suitable for use indoors or outdoors



| Catalog No. | Amp Rating | No. of Barrels | Indicating | Diameter Inches (mm) | Length Inches (mm) | Max Voltage | Max IR RMS Sym | Fuse Support Indoor (EK-1) | Fuse Support Outdoor (EK0-1) | Fuse Disconnect Indoor (EK-3) | Fuse Disconnect Outdoor (EK0-3) |
|-------------|------------|----------------|------------|----------------------|--------------------|-------------|----------------|----------------------------|------------------------------|-------------------------------|---------------------------------|
| 9F60FPK001  | 1E         | 1              | Yes        | 3 (76.2)             | 30.81 (783)        | 38 kV       | 26kA*          | -                          | 9F61CJN309                   | -                             | 9F61CJN310                      |
| 9F60FPK002  | 2E         |                |            |                      |                    |             |                |                            |                              |                               |                                 |
| 9F60FPK003  | 3E         |                |            |                      |                    |             |                |                            |                              |                               |                                 |
| 9F60FPK005  | 5E         |                |            |                      |                    |             |                |                            |                              |                               |                                 |
| 9F60FPK007  | 7E         |                |            |                      |                    |             |                |                            |                              |                               |                                 |
| 9F60FPK010  | 10E        |                |            |                      |                    |             |                |                            |                              |                               |                                 |
| 9F60FPK015  | 15E        | 1              | Yes        | 3 (76.2)             | 30.81 (783)        | 38 kV       | 13kA           | -                          | 9F61CJN309                   | -                             | 9F61CJN310                      |
| 9F60FPK020  | 20E        |                |            |                      |                    |             |                |                            |                              |                               |                                 |
| 9F60FPK025  | 25E        |                |            |                      |                    |             |                |                            |                              |                               |                                 |
| 9F60FPK030  | 30E        |                |            |                      |                    |             |                |                            |                              |                               |                                 |
| 9F60FPK040  | 40E        |                |            |                      |                    |             |                |                            |                              |                               |                                 |
| 9F60HPK050  | 50E        |                |            |                      |                    |             |                |                            |                              |                               |                                 |
| 9F60HPK065  | 65E        | 2              | Yes        | 3 (76.2)             | 30.81 (783)        | 38 kV       | 13kA           | -                          | 9F61CJN409                   | -                             | 9F61CJN410                      |
| 9F60HPK080  | 80E        |                |            |                      |                    |             |                |                            |                              |                               |                                 |
| 9F60FPT001  | 1E         | 1              | No         | 3 (76.2)             | 30.81 (783)        | 38 kV       | 26kA*          | -                          | 9F61CJN309                   | -                             | 9F61CJN310                      |
| 9F60FPT002  | 2E         |                |            |                      |                    |             |                |                            |                              |                               |                                 |
| 9F60FPT003  | 3E         |                |            |                      |                    |             |                |                            |                              |                               |                                 |
| 9F60FPT005  | 5E         |                |            |                      |                    |             |                |                            |                              |                               |                                 |
| 9F60FPT007  | 7E         |                |            |                      |                    |             |                |                            |                              |                               |                                 |
| 9F60FPT010  | 10E        |                |            |                      |                    |             |                |                            |                              |                               |                                 |
| 9F60FPT015  | 15E        | 1              | No         | 3 (76.2)             | 30.81 (783)        | 38 kV       | 13kA           | -                          | 9F61CJN309                   | -                             | 9F61CJN310                      |
| 9F60FPT020  | 20E        |                |            |                      |                    |             |                |                            |                              |                               |                                 |
| 9F60FPT025  | 25E        |                |            |                      |                    |             |                |                            |                              |                               |                                 |
| 9F60FPT030  | 30E        |                |            |                      |                    |             |                |                            |                              |                               |                                 |
| 9F60FPT040  | 40E        |                |            |                      |                    |             |                |                            |                              |                               |                                 |
| 9F60HPT050  | 50E        |                |            |                      |                    |             |                |                            |                              |                               |                                 |
| 9F60HPT065  | 65E        | 2              | No         | 3 (76.2)             | 30.81 (783)        | 38 kV       | 13kA           | -                          | 9F61CJN409                   | -                             | 9F61CJN410                      |
| 9F60HPT080  | 80E        |                |            |                      |                    |             |                |                            |                              |                               |                                 |

\* These fuses were designed and originally tested at a higher maximum interrupting rating value. Consult factory for further information.



# Transformer Protection

Amp-Trap® and 9F62 Bolt-In Series

## MEDIUM VOLTAGE FUSES

5.0KV, 5.5KV, 7.2KV, 8.25KV, AND 15.5KV  
BOLT-IN FUSES

M  
V



Mersen fuses for the protection of transformers and distribution lines deliver overload and short circuit protection. These current-limiting fuses will melt at current that can be as low as 1.7 times the fuse current ratings up to its maximum interrupting rating. These fuses are designed to withstand the transformer magnetizing inrush current. They are single, double, triple or quadruple barrels 3 inch diameter (size D) with end mounts designed for bolting directly to equipment bus or terminal pads.

### FEATURES/BENEFITS:

- UL listed for compatibility with UL listed equipment.
- Bolt-In mounting for direct connection to bus or terminals.
- Current-limiting for superior equipment protection.
- Non-venting for silent operation.
- Metal embossed catalog number and manufacturing date for lasting identification.
- Outdoor usage for the 9F62.
- Blown-fuse indicator to give positive identification of open fuse.
  - Amp trap: 2 lb tripped force - 0.50 Inch
  - 9F62: 0.125 lb tripped force - 0.20 Inch

### HIGHLIGHTS:

- E-Rated
- UL listed
- Outdoor use



### APPLICATIONS:

- Protection for 5.5kV to 15.5kV transformers or distribution systems.

### Ratings:

#### Amp-Trap Bolt-in Series

##### A050B:

- **Volts:** 5.0kV AC
- **Amps:** 1200E
- **IR:** 59kA Sym

##### A055B:

- **Volts:** 5.5kV AC
- **Amps:** 10 to 900E
- **IR:** 59kA Sym

##### A072B:

- **Volts:** 7.2kVAC
- **Amps:** 250 to 400E
- **IR:** 65kA Sym

##### A083B:

- **Volts:** 8.25kVAC
- **Amps:** 125 to 200E
- **IR:** 50kA Sym

##### A155B:

- **Volts:** 15.5kVAC
- **Amps:** 200 to 300E
- **IR:** 50kA Sym

#### 9F62 Series Type EJO-1

##### 9F62

- **Volts:** 5.5kVAC, 15.5VAC
- **Amps:** 300 to 900A
- **IR:** 50kA Sym

### APPROVALS:



- Some UL Listed to standard File E143362

**DEFINITIONS:**

**General Purpose Current-Limiting Fuses** (Per IEEE Std C37.40-2003):

A general purpose current-limiting fuse is one that is capable of interrupting all currents from its rated interrupting current down to the current that causes melting of the fusible element(s) in one hour or more.

**E-Rating:** E-Rated fuses are general purpose fuses that operate as follows (Per ANSI C37.46-2000):

- 100E or less - must melt in 300 seconds (5 mins.) at 200 to 240% of E (ampere) rating.
- Over 100E - must melt in 600 seconds (10 mins.) at 220 to 264% of E (ampere) rating.
- Example: A 100E fuse must melt in 300 seconds with an applied current of 200 to 240 amperes.

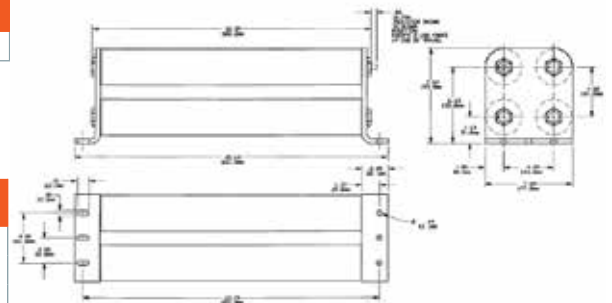
**5.0KV / 5.5KV BOLT-IN FUSES:**

**5.0kV E-Rated Amp-Trap Bolt-In Series**

Suitable for use indoors or in an enclosure only

| Catalog No.      | Amp Rating | No. of Barrels | Indicating | Max Voltage | Max IR RMS Sym | Figure |
|------------------|------------|----------------|------------|-------------|----------------|--------|
| A050B4DORO-1200E | 1200E      | 4              | Yes        | 5.0kV       | 59kA           | E      |

Figure E



**5.5kV E-Rated Amp-Trap Bolt-In Series - UL Listed**

Suitable for use indoors or in an enclosure only



| Catalog Number  | Amp Rating | No. of Barrels | Indicating | Max Voltage | Max IR RMS Sym | Figure |
|-----------------|------------|----------------|------------|-------------|----------------|--------|
| A055B1DARO-10E  | 10E        | 1              | Yes        | 5.5kV       | 63kA           | A      |
| A055B1DARO-15E  | 15E        |                |            |             |                |        |
| A055B1DARO-20E  | 20E        |                |            |             |                |        |
| A055B1DARO-25E  | 25E        |                |            |             |                |        |
| A055B1DARO-30E  | 30E        |                |            |             |                |        |
| A055B1DARO-40E  | 40E        |                |            |             |                |        |
| A055B1DARO-50E  | 50E        |                |            |             |                |        |
| A055B1DARO-65E  | 65E        |                |            |             |                |        |
| A055B1DARO-80E  | 80E        |                |            |             |                |        |
| A055B1DARO-100E | 100E       |                |            |             |                |        |
| A055B1DARO-125E | 125E       | 2              | Yes        | 5.5kV       | 63kA           | B      |
| A055B1DARO-150E | 150E       |                |            |             |                |        |
| A055B1DARO-175E | 175E       |                |            |             |                |        |
| A055B1DARO-200E | 200E       |                |            |             |                |        |
| A055B2DARO-250E | 250E       |                |            |             |                |        |
| A055B2DARO-300E | 300E       |                |            |             |                |        |
| A055B2DARO-350E | 350E       |                |            |             |                |        |
| A055B2DARO-400E | 400E       |                |            |             |                |        |
| A055B2DARO-450E | 450E       |                |            |             |                |        |
| A055B2DORO-450E | 450E       |                |            |             |                |        |
| A055B2DORO-500E | 500E       | 2              | Yes        | 5.5kV       | 63kA           | C      |
| A055B2DORO-600E | 600E       |                |            |             |                |        |
| A055B3DORO-750E | 750E       |                |            |             |                |        |
| A055B3DORO-900E | 900E       | 3              | Yes        | 5.5kV       | 63kA           | D      |

Figure A

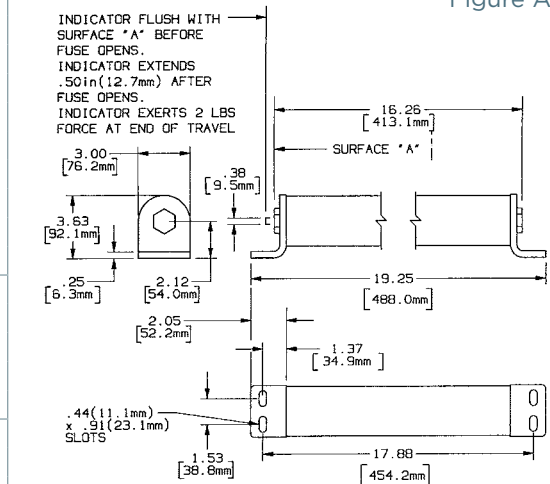
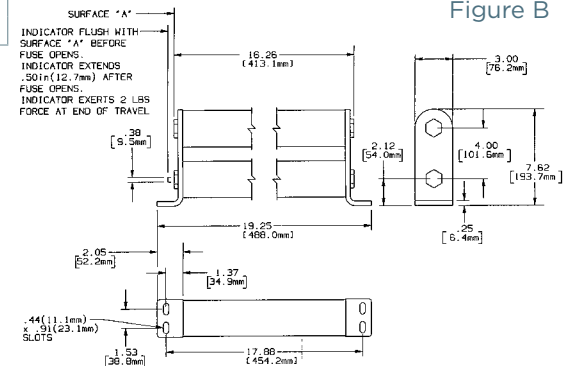


Figure B



# TRANSFORMER PROTECTION

Amp-Trap® and 9F62 Bolt-In Series

MEDIUM VOLTAGE  
FUSES

## 5.5kV General Purpose fuses - 9F62 Series, EJO-1 - UL Listed

Suitable for use indoors or outdoors



| Catalog No. | Amp Rating | No. of Barrels | Indicating | Max Voltage | Max IR RMS Sym | Figure | Fuse Support Indoor (EK-1) | Fuse Support Outdoor (EK0-1) |
|-------------|------------|----------------|------------|-------------|----------------|--------|----------------------------|------------------------------|
| 9F62KCB500  | 500A       | 4              | Yes        | 5.5 kV      | 50kA           | F      | 9F61AKB001                 | 9F61CKF009                   |
| 9F62KCB600  | 600A       |                |            |             |                |        |                            |                              |
| 9F62KCB700  | 700A       |                |            |             |                |        |                            |                              |
| 9F62KCB800  | 800A       |                |            |             |                |        |                            |                              |
| 9F62KCB900  | 900A       |                |            |             |                |        |                            |                              |

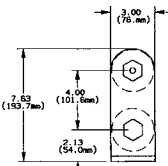
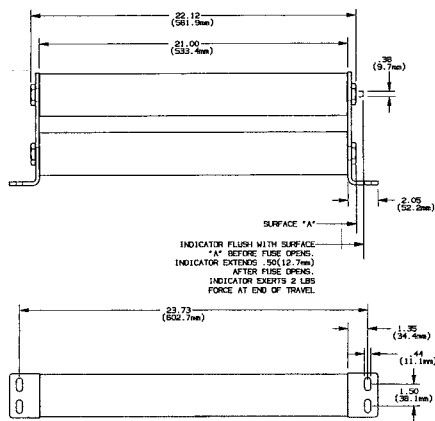


Figure C

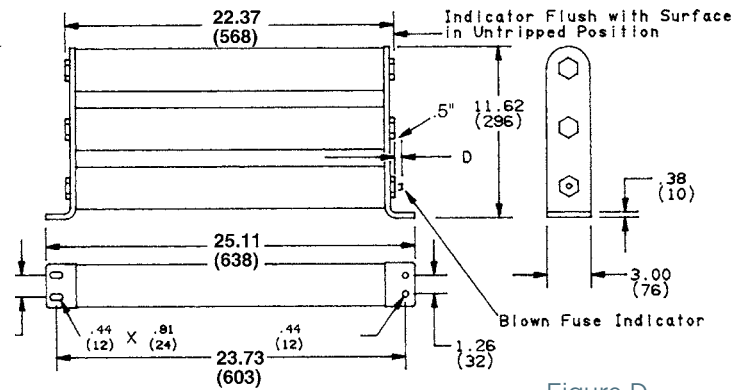


Figure D

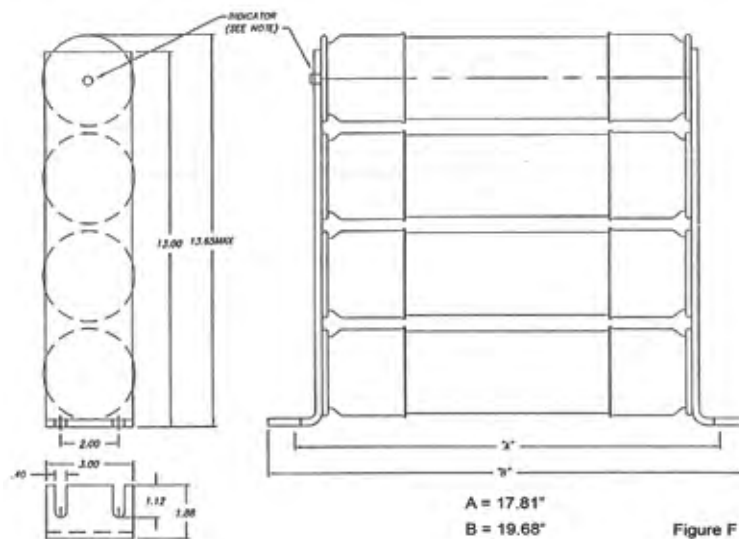


Figure F

Figure F

A = 17.81"  
B = 19.68"

MV



# Transformer Protection

Amp-Trap® CL-14 Series

## MEDIUM VOLTAGE FUSES

5.5KV, 8.25KV, AND 15.5KV  
CLIP-LOCK MOUNTED FUSES

M  
V



Mersen Amp-Trap fuses for the protection of transformers and distribution lines deliver overload and short circuit protection. These general purpose current-limiting fuses will melt at current that can be as low as 1.7 times the fuse current ratings up to its maximum interrupting rating. These fuses are designed to withstand the transformer magnetizing inrush current. They are single, double or triple barrels 3 inch diameter (size D) and mount in unique cam-locking clips for superior connections as well as easy installation and replacement.

### FEATURES/BENEFITS:

- UL listed for compatibility with UL listed equipment.
- Clip-lock mounting for reliable high integrity connection into circuit.
- Current-limiting for superior equipment protection.
- Non-venting for silent operation.
- Metal embossed catalog number and manufacturing date for lasting identification.
- Blown-fuse indicator to give positive identification of open fuse.
  - 2 lb tripped force - 0.50 Inch

### HIGHLIGHTS:

- E-Rated
- UL listed

### APPLICATIONS:

- Protection for 5.5kV to 15.5kV transformers or distribution systems.

### Ratings:

#### Amp-Trap CL-14 Series

(Indoor or outdoors in a weatherproof enclosure)

#### A055C

- **Volts:** 5.5kV AC
- **Amps:** 10 to 600E
- **IR:** 63kA Sym

#### A083C:

- **Volts:** 8.25kV AC
- **Amps:** 60 to 200E
- **IR:** 50kA Sym

#### A155C

- **Volts:** 15.5kV AC
- **Amps:** 10 to 300E
- **IR:** 50kA Sym

### APPROVALS:

- Some UL Listed to standard File E143362



See Fuse Blocks and Holders section for CL-14 Clip-Lock Clips

5.5KV / 8.25KV CLIP-LOCK MOUNTED FUSES:

5.5kV E-Rated Amp-Trap CL-14 Series

15.25" (388mm) Clip Centers (dimension E). Suitable for use indoors or in an enclosure only



| Catalog No.     | Amp Rating | No. of Barrels | Indicating | Max Voltage | Max IR RMS Sym | Figure | Dimensions Inches (mm) |                |   |                |
|-----------------|------------|----------------|------------|-------------|----------------|--------|------------------------|----------------|---|----------------|
|                 |            |                |            |             |                |        | A                      | B              | C   | E              |
| A055C1D0R0-10E  | 10E        | 1              | Yes        | 5.5kV       | 63kA           | A      | 16.81<br>(427)         | 16.12<br>(410) | 0.5<br>(13)<br>Tripped<br>Force<br>2 lbs. | 15.25<br>(388) |
| A055C1D0R0-15E  | 15E        |                |            |             |                |        |                        |                |   |                |
| A055C1D0R0-20E  | 20E        |                |            |             |                |        |                        |                |   |                |
| A055C1D0R0-25E  | 25E        |                |            |             |                |        |                        |                |   |                |
| A055C1D0R0-30E  | 30E        |                |            |             |                |        |                        |                |   |                |
| A055C1D0R0-40E  | 40E        |                |            |             |                |        |                        |                |   |                |
| A055C1D0R0-50E  | 50E        |                |            |             |                |        |                        |                |   |                |
| A055C1D0R0-65E  | 65E        |                |            |             |                |        |                        |                |   |                |
| A055C1D0R0-80E  | 80E        |                |            |             |                |        |                        |                |   |                |
| A055C1D0R0-100E | 100E       |                |            |             |                |        |                        |                |   |                |
| A055C1D0R0-125E | 125E       |                |            |             |                |        |                        |                |   |                |
| A055C1D0R0-150E | 150E       |                |            |             |                |        |                        |                |   |                |



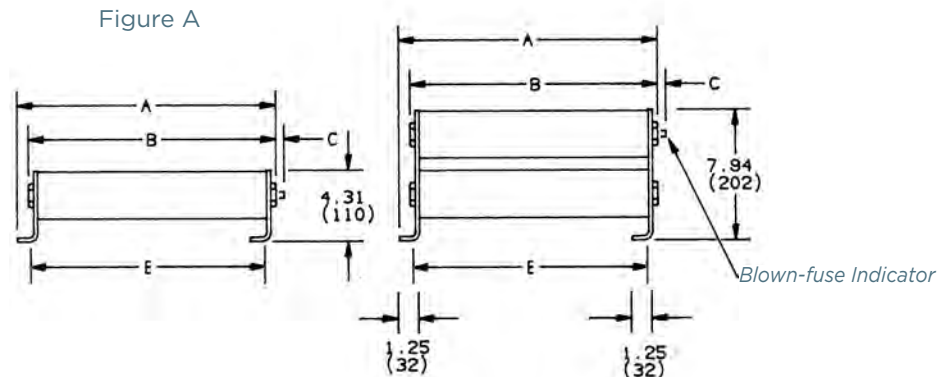
5.5kV E-Rated Amp-Trap CL-14 Series

21.25" (540mm) Clip Centers (dimension E). Suitable for use indoors or in an enclosure only



| Catalog No.     | Amp Rating | No. of Barrels | Indicating | Max Voltage | Max IR RMS Sym | Figure | Dimensions Inches (mm) |                |                                     |                |
|-----------------|------------|----------------|------------|-------------|----------------|--------|------------------------|----------------|-------------------------------------|----------------|
|                 |            |                |            |             |                |        | A                      | B              | C                                   | E              |
| A055C1D0R0-200E | 200E       | 1              | Yes        | 5.5kV       | 63kA           | A      | 22.81<br>(580)         | 22.12<br>(562) | 0.5 (13)<br>Tripped<br>Force 2 lbs. | 21.25<br>(540) |
| A055C1D0R0-250E | 250E       |                |            |             |                |        |                        |                |                                     |                |
| A055C1D0R0-300E | 300E       |                |            |             |                |        |                        |                |                                     |                |
| A055C1D0R0-400E | 400E       |                |            |             |                |        |                        |                |                                     |                |
| A055C2D0R0-450E | 450E       | 2              | Yes        | 5.5kV       | 63kA           | B      | 22.81<br>(580)         | 22.12<br>(562) | 0.5 (13)<br>Tripped<br>Force 2 lbs. | 21.25<br>(540) |
| A055C2D0R0-500E | 500E       |                |            |             |                |        |                        |                |                                     |                |
| A055C2D0R0-600E | 600E       |                |            |             |                |        |                        |                |                                     |                |

Figure B

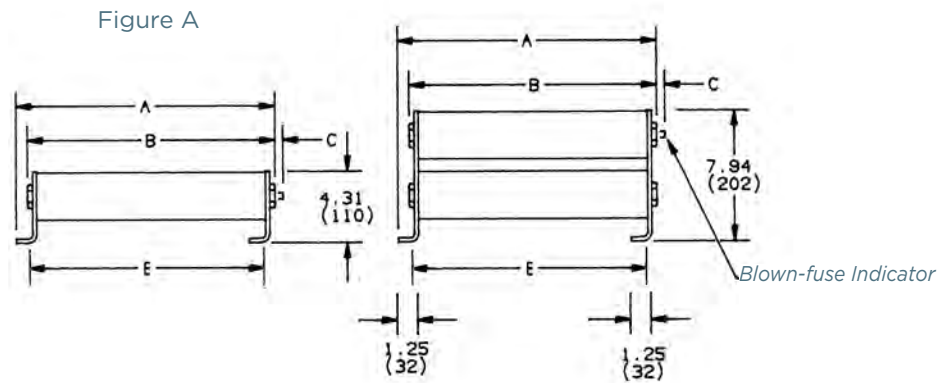


### 8.25kV E-Rated Amp-Trap CL-14 Series

15.70" (399mm) and 15.39 (391mm) Clip Centers (dimension E). Suitable for use indoors or in an enclosure only

| Catalog No.     | Amp Rating | No. of Barrels | Indicating | Max Voltage | Max IR RMS Sym | Figure | Dimensions Inches (mm) |             |                                     |             |
|-----------------|------------|----------------|------------|-------------|----------------|--------|------------------------|-------------|-------------------------------------|-------------|
|                 |            |                |            |             |                |        | A                      | B           | C                                   | E           |
| A083C1D0R0-60E  | 60E        | 1              | Yes        | 8.25kV      | 50kA           | A      | 16.95 (431)            | 16.26 (413) | 0.5 (13)<br>Tripped Force<br>2 lbs. | 15.39 (391) |
| A083C2D0R0-200E | 200E       | 2              | Yes        | 8.25kV      | 50kA           | B      | 16.95 (431)            | 16.26 (413) | 0.5 (13)<br>Tripped Force<br>2 lbs. | 15.39 (391) |

Figure B



M  
V

15.5KV CLIP-LOCK MOUNTED FUSES:

15.5kV E-Rated Amp-Trap CL-14 Series



18.25" (464mm) Clip Centers (dimension E). Suitable for use indoors or in an enclosure only

| Catalog No.    | Amp Rating | No. of Barrels | Indicating | Max Voltage | Max IR RMS Sym | Figure | Dimensions Inches (mm) |                |   |                |
|----------------|------------|----------------|------------|-------------|----------------|--------|------------------------|----------------|---|----------------|
|                |            |                |            |             |                |        | A                      | B              | C   | E              |
| A155C1D0R0-10E | 10E        | 1              | Yes        | 15.5kV      | 50kA           | A      | 19.81<br>(504)         | 19.12<br>(486) | 0.5<br>(13)<br>Tripped<br>Force<br>2 lbs. | 18.25<br>(464) |
| A155C1D0R0-15E | 15E        |                |            |             |                |        |                        |                |   |                |
| A155C1D0R0-20E | 20E        |                |            |             |                |        |                        |                |   |                |
| A155C1D0R0-25E | 25E        |                |            |             |                |        |                        |                |   |                |
| A155C1D0R0-30E | 30E        |                |            |             |                |        |                        |                |   |                |
| A155C1D0R0-40E | 40E        |                |            |             |                |        |                        |                |   |                |
| A155C1D0R0-50E | 50E        |                |            |             |                |        |                        |                |   |                |

15.5kV E-Rated Amp-Trap CL-14 Series



21.25" (540mm) Clip Centers (dimension E). Suitable for use indoors or in an enclosure only

| Catalog No.     | Amp Rating | No. of Barrels | Indicating | Max Voltage | Max IR RMS Sym | Figure | Dimensions Inches (mm) |                |                                     |                |
|-----------------|------------|----------------|------------|-------------|----------------|--------|------------------------|----------------|-------------------------------------|----------------|
|                 |            |                |            |             |                |        | A                      | B              | C                                   | E              |
| A155C1D0R0-65E  | 65E        | 1              | Yes        | 15.5kV      | 50kA           | A      | 22.81<br>(580)         | 22.12<br>(562) | 0.5 (13)<br>Tripped<br>Force 2 lbs. | 21.25<br>(540) |
| A155C1D0R0-80E  | 80E        |                |            |             |                |        |                        |                |                                     |                |
| A155C1D0R0-100E | 100E       |                |            |             |                |        |                        |                |                                     |                |
| A155C2D0R0-125E | 125E       | 2              | Yes        | 15.5kV      | 50kA           | B      | 22.81<br>(580)         | 22.12<br>(562) | 0.5 (13)<br>Tripped<br>Force 2 lbs. | 21.25<br>(540) |
| A155C2D0R0-150E | 150E       |                |            |             |                |        |                        |                |                                     |                |
| A155C2D0R0-200E | 200E       |                |            |             |                |        |                        |                |                                     |                |
| A155C3D0R0-150E | 150E       | 3              | Yes        | 15.5kV      | 50kA           | C      | 22.81<br>(580)         | 22.12<br>(562) | 0.5 (13)<br>Tripped<br>Force 2 lbs. | 21.25<br>(540) |
| A155C3D0R0-200E | 200E       |                |            |             |                |        |                        |                |                                     |                |
| A155C3D0R0-250E | 250E       |                |            |             |                |        |                        |                |                                     |                |
| A155C3D0R0-300E | 300E       |                |            |             |                |        |                        |                |                                     |                |

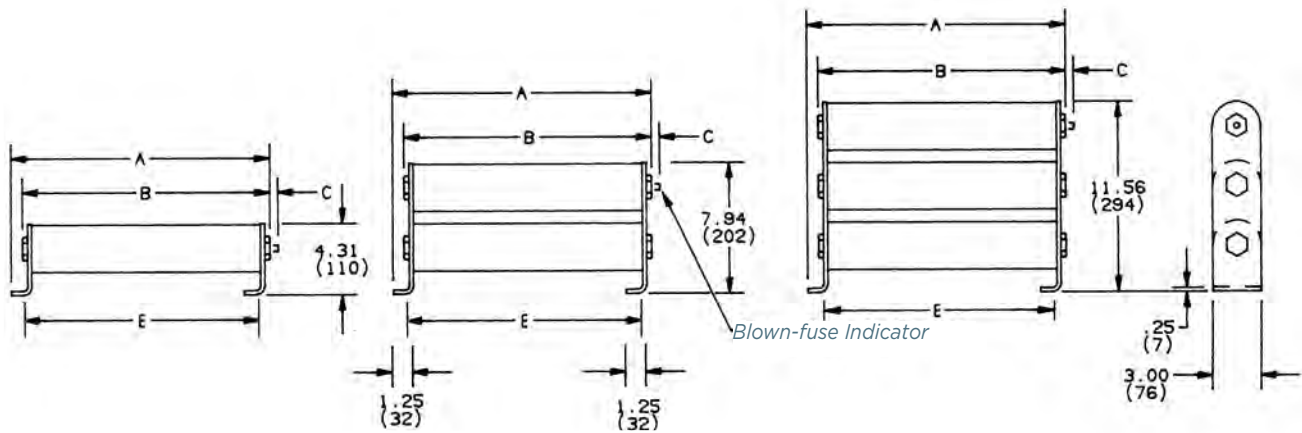


Figure A

Figure B

Figure C



# Motor Protection

Amp-Trap® and 9F60 Series

## MEDIUM VOLTAGE FUSES

2.4KV, 2.54KV, 4.8KV, 5.08KV AND 7.2KV  
FERRULE MOUNTED FUSES

M  
V



Mersen R-Rated fuses are current-limiting, high interrupting rating fuses intended for the short circuit protection of medium voltage motors and motor controllers. R-Rated fuses are back-up fuses that have a minimum interrupting rating, and must be coordinated with overload relays in combination motor starters. The motor starter manufacturer generally specifies the R-Rated fuse size. These fuses come with a 3 (size D) or 4 (size E) inch diameter barrels with ferrules and are mounted in spring reinforced clips.

## FEATURES/BENEFITS:

- The Amp-Trap and 9F60 R-Rated fuses are UL Recognized.
- Ferrule mounting for standard clips and interchangeability with other brands of fuses.
- Current-limiting for superior equipment protection.
- Metal embossed catalog number and manufacturing date for lasting identification.
- Hookeye for non load-break isolation by hookstick:
  - On the 4.8kV an optional hookeye mounted in the factory is available.
  - On all other 3" barrels if a hookeye is required, use the operating eye 9F61AAW612.
- Blown-fuse indicator to give positive identification of open fuse.
  - Amp trap: 3" Barrel 2 lb tripped force - 0.50 Inch
  - 9F60: 0.125 lb tripped force - 0.20 Inch

## Ratings:

### Amp-Trap

#### A240R

- **Volts:** 2.4kVAC
- **Amps:** 1 to 36R
- **IR:** 65kA Sym

#### A480R

- **Volts:** 4.8kVAC
- **Amps:** 2 to 36R
- **IR:** 50kA Sym

#### A072F

- **Volts:** 7.2kVAC
- **Amps:** 2 to 24R
- **IR:** 50kA Sym

### 9F60 SERIES TYPE EJ-2

#### 9F60

- **Volts:** 2.54kVAC, 5.08kVAC
- **Amps:** 2 to 36R
- **IR:** 50kA Sym

## HIGHLIGHTS:

- R-Rated
- UL recognized

## APPLICATIONS:

- Short circuit protection of medium voltage motors and motor controllers.

## APPROVALS:



- Amp-Trap: UL File E93367
- 9F60: UL File E191980

DEFINITIONS:

**R-Rating:** R-Rated fuses are back-up fuses that operate as follows (Per ANSI C37.46-2000): An R-Rated fuse will melt in the range of 15 to 35 seconds at a value of current equal to 100 times the “R” rating.

**Back-up Current-Limiting Fuses:** A back-up current-limiting fuse is a fuse that can interrupt any current between its rated minimum interrupting current and its maximum interrupting current. Back-up fuses are not designed or intended to open under overload conditions.

**Continuous Ampere Rating at 40°C:** The continuous amp rating defines the thermal capability of the fuse per ANSI C37.46 and should not be the sole factor in fuse selection.

2.4kV R-Rated Amp-Trap Series

7.5" (191 mm) Clip Centers - Barrel diameter size D (3")



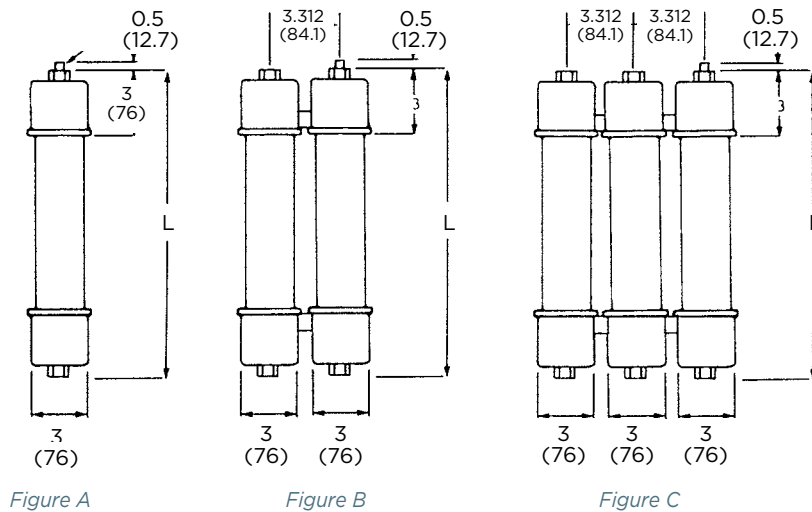
| Catalog No. | Size  | Continuous Amp rating at 40°C | Minimum Interrupting Rating RMS Amp | No of Barrels | Fig. | Indicating | Dimension L Inches (mm) | 1 Phase interrupting rating             |                                   |
|-------------|-------|-------------------------------|-------------------------------------|---------------|------|------------|-------------------------|---|-----------------------------------|
|             |       |                               |                                     |               |      |            |                         | UL Component Recognition Max IR RMS Sym | Max Voltage Tested Max IR RMS Sym |
| A240R1R     | 1R    | 35                            | 100                                 | 1             | A    | Yes        | 10.88 (276)             | 65kA at 2.6kV                           | 65kA at 2.6kV                     |
| A240R2R     | 2R    | 70                            | 170                                 |               |      |            |                         |   |                                   |
| A240R3R     | 3R    | 100                           | 250                                 |               |      |            |                         |   |                                   |
| A240R4R     | 4R    | 130                           | 340                                 |               |      |            |                         |   |                                   |
| A240R5R     | 5R    | 150                           | 420                                 |               |      |            |                         |   |                                   |
| A240R6R     | 6R    | 170                           | 500                                 |               |      |            |                         |   |                                   |
| A240R9R     | 9R    | 200                           | 760                                 |               |      |            |                         |   |                                   |
| A240R12R    | 12R   | 230                           | 1000                                | 2             | B    |            |                         |   |                                   |
| A240R18R    | 18R   | 390                           | 1500                                |               |      |            |                         |   |                                   |
| A240R24R    | 24R   | 450                           | 2000                                | 3             | C    |            |                         |   |                                   |
| A240R36R    | 36R** | 650                           | 2900                                |               |      |            |                         |   |                                   |

\*\* Not recommended for use in fuse clips which grasp only one barrel.

2.4kV / 2.54kV Ferrule mounted fuses:

Indicator Flush with Surface

2 Lb. Force (Tripped)





### 2.4kV R-Rated 9F60 EJ-2 Series

7" (179 mm) Clip Centers – Barrel diameter size D (3")

| Catalog No. | Size | Continuous Amp rating at 40°C | Minimum Interrupting Rating RMS Amp | No of Barrels | Fig. | Indicating | Dimension L Inches (mm) | 1 Phase interrupting rating             |                                   |
|-------------|------|-------------------------------|-------------------------------------|---------------|------|------------|-------------------------|---|-----------------------------------|
|             |      |                               |                                     |               |      |            |                         | UL Component Recognition Max IR RMS Sum | Max Voltage Tested Max IR RMS Sum |
| 9F60LCB502  | 2R   | 70                            | 195                                 | 1             | D    | Yes        | 10.88 (276)             | 50kA at 2.54kV                          | 50kA at 2.54kV                    |
| 9F60LCB503  | 3R   | 100                           | 270                                 |               |      |            |                         |   |                                   |
| 9F60LCB504  | 4R   | 130                           | 370                                 |               |      |            |                         |   |                                   |
| 9F60LCB506  | 6R   | 170                           | 580                                 |               |      |            |                         |   |                                   |
| 9F60LCB509  | 9R   | 200                           | 820                                 |               |      |            |                         |   |                                   |
| 9F60LCB512  | 12R  | 230                           | 1150                                |               |      |            |                         |   |                                   |
| 9F60MCB518  | 18R  | 390                           | 1800                                | 2             | E    |            |                         |   |                                   |
| 9F60MCB524  | 24R  | 450                           | 2400                                |               |      |            |                         |   |                                   |
| 9F60LCL302  | 2R   | 70                            | 195                                 | 1             | D    | No         | 10.88 (276)             | 50kA at 2.54kV                          | 50kA at 2.54kV                    |
| 9F60LCL303  | 3R   | 100                           | 270                                 |               |      |            |                         |   |                                   |
| 9F60LCL304  | 4R   | 130                           | 370                                 |               |      |            |                         |   |                                   |
| 9F60LCL306  | 6R   | 170                           | 580                                 |               |      |            |                         |   |                                   |
| 9F60LCL309  | 9R   | 200                           | 820                                 |               |      |            |                         |   |                                   |
| 9F60LCL312  | 12R  | 230                           | 1150                                |               |      |            |                         |   |                                   |
| 9F60MCL318  | 18R  | 390                           | 1800                                | 2             | E    |            |                         |   |                                   |
| 9F60MCL324  | 24R  | 450                           | 2400                                |               |      |            |                         |   |                                   |

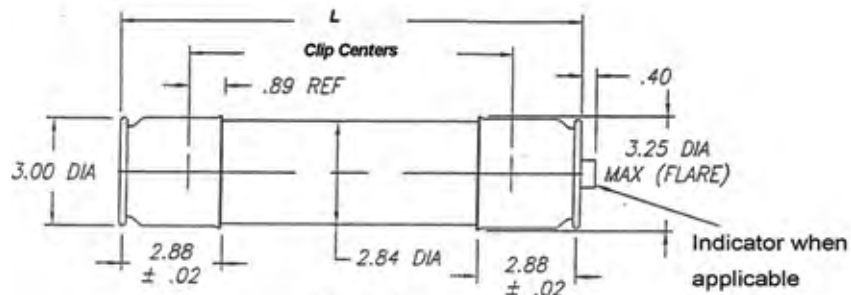


Fig. D

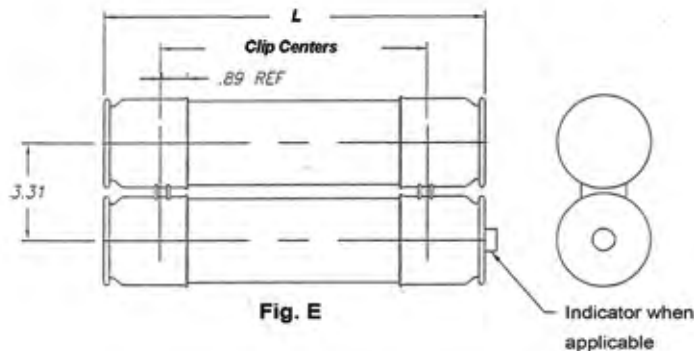


Fig. E

M  
V

4.8KV / 5.08KV FERRULE MOUNTED FUSES:

4.8kV R-Rated Amp-Trap Series

12.5" (317 mm) Clip Centers - Barrel diameter size D (3")



| Catalog No. | Size  | Continuous Amp rating at 40°C | Minimum Interrupting Rating RMS Amp | No of Barrels | Fig. | Indicating | Dimension L Inches (mm) | 1 Phase interrupting rating                |                                      |
|-------------|-------|-------------------------------|-------------------------------------|---------------|------|------------|-------------------------|--|--------------------------------------|
|             |       |                               |                                     |               |      |            |                         | UL Component Recognition<br>Max IR RMS Sym | Max Voltage Tested<br>Max IR RMS Sym |
| A480R2R-1   | 2R    | 70                            | 190                                 | 1             | A    | Yes        | 15.88 (403)             | 65kA at 5.5kV                              | 65kA at 5.5kV                        |
| A480R3R-1   | 3R    | 100                           | 225                                 |               |      |            |                         |  |                                      |
| A480R4R-1   | 4R    | 130                           | 330                                 |               |      |            |                         |  |                                      |
| A480R5R-1   | 5R    | 150                           | 400                                 |               |      |            |                         |  |                                      |
| A480R6R-1   | 6R    | 170                           | 500                                 |               |      |            |                         |  |                                      |
| A480R9R-1   | 9R    | 200                           | 740                                 |               |      |            |                         |  |                                      |
| A480R12R-1  | 12R   | 230                           | 955                                 | 2             | B    |            | 64kA at 5.5kV           | 64kA at 5.5kV                              |                                      |
| A480R18R-1  | 18R   | 390                           | 1440                                |               |      |            |                         |  |                                      |
| A480R24R-1  | 24R   | 450                           | 1910                                |               |      |            |                         |  |                                      |
| A480R36R-1  | 36R** | 650                           | 2810                                | 3             | C    |            |                         |  |                                      |

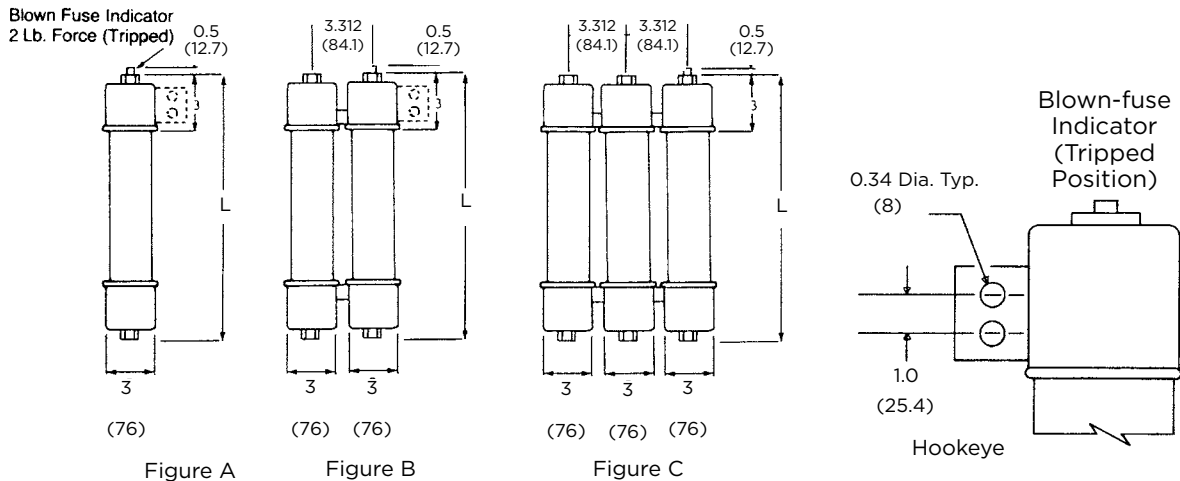
\*\* Not recommended for use in fuse clips which grasp only one barrel.

4.8kV R-Rated Amp-Trap Series with Hookeye

12.75" (324 mm) Clip Centers - Barrel diameter size D (3")



| Catalog No.  | Size | Continuous Amp rating at 40°C | Minimum Interrupting Rating RMS Amp | No of Barrels | Fig. | Indicating | Dimension L Inches (mm) | 1 Phase interrupting rating                |                                      |
|--------------|------|-------------------------------|-------------------------------------|---------------|------|------------|-------------------------|--|--------------------------------------|
|              |      |                               |                                     |               |      |            |                         | UL Component Recognition<br>Max IR RMS Sym | Max Voltage Tested<br>Max IR RMS Sym |
| A480R2R-1HE  | 2R   | 70                            | 190                                 | 1             | A    | Yes        | 16.13 (410)             | 50kA at 5.08kV                             | 63kA at 5.5kV                        |
| A480R3R-1HE  | 3R   | 100                           | 225                                 |               |      |            |                         |  |                                      |
| A480R4R-1HE  | 4R   | 130                           | 330                                 |               |      |            |                         |  |                                      |
| A480R5R-1HE  | 5R   | 150                           | 400                                 |               |      |            |                         |  |                                      |
| A480R6R-1HE  | 6R   | 170                           | 500                                 |               |      |            |                         |  |                                      |
| A480R9R-1HE  | 9R   | 200                           | 740                                 |               |      |            |                         |  |                                      |
| A480R12R-1HE | 12R  | 230                           | 955                                 | 2             | B    |            |                         |  |                                      |
| A480R18R-1HE | 18R  | 390                           | 1440                                |               |      |            |                         |  |                                      |
| A480R24R-1HE | 24R  | 450                           | 1910                                |               |      |            |                         |  |                                      |





### 5.08kV R-Rated 9F60 EJ-2 Series

12" (305 mm) Clip Centers – Barrel diameter size D (3")

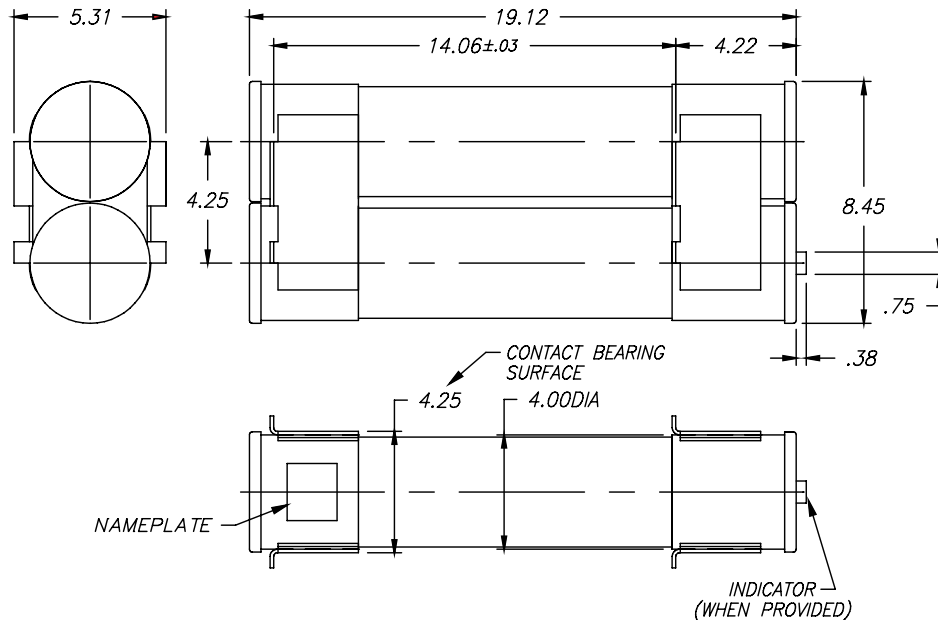
| Catalog No. | Size | Continuous Amp rating at 40°C | Minimum Interrupting Rating RMS Amp | No of Barrels | Fig. | Indicating | Dimension L Inches (mm) | 1 Phase interrupting rating             |                                   |
|-------------|------|-------------------------------|-------------------------------------|---------------|------|------------|-------------------------|---|-----------------------------------|
|             |      |                               |                                     |               |      |            |                         | UL Component Recognition Max IR RMS Sum | Max Voltage Tested Max IR RMS Sum |
| 9F60LJD502  | 2R   | 70                            | 195                                 | 1             | D*   | Yes        | 15.97 [406]             | 50kA at 5.08kV                          | 50kA at 5.08kV                    |
| 9F60LJD503  | 3R   | 100                           | 270                                 |               |      |            |                         |   |                                   |
| 9F60LJD504  | 4R   | 130                           | 370                                 |               |      |            |                         |   |                                   |
| 9F60LJD506  | 6R   | 170                           | 580                                 |               |      |            |                         |   |                                   |
| 9F60LJD509  | 9R   | 200                           | 820                                 |               |      |            |                         |   |                                   |
| 9F60LJD512  | 12R  | 230                           | 1150                                |               |      |            |                         |   |                                   |
| 9F60MJD518  | 18R  | 390                           | 1800                                | 2             | E*   |            |                         |   |                                   |
| 9F60MJD524  | 24R  | 450                           | 2400                                |               |      |            |                         |   |                                   |
| 9F60LJN302  | 2R   | 70                            | 195                                 | 1             | D*   | No         | 15.97 [406]             | 50kA at 5.08kV                          | 50kA at 5.08kV                    |
| 9F60LJN303  | 3R   | 100                           | 270                                 |               |      |            |                         |   |                                   |
| 9F60LJN304  | 4R   | 130                           | 370                                 |               |      |            |                         |   |                                   |
| 9F60LJN306  | 6R   | 170                           | 580                                 |               |      |            |                         |   |                                   |
| 9F60LJN309  | 9R   | 200                           | 820                                 |               |      |            |                         |   |                                   |
| 9F60LJN312  | 12R  | 230                           | 1150                                |               |      |            |                         |   |                                   |
| 9F60MJN318  | 18R  | 390                           | 1800                                | 2             | E*   |            |                         |   |                                   |
| 9F60MJN324  | 24R  | 450                           | 2400                                |               |      |            |                         |   |                                   |

\* See Figures D & E on previous pages

### 5.08kV R-Rated 9F60 EJ-2 Series

14" (356 mm) Clip Centers – Barrel diameter size E (4") – Use clip parts 9F61BNW452

| Catalog No. | Size | Continuous Amp rating at 40°C | Minimum Interrupting Rating RMS Amp | Indicating | Dimension L Inches (mm) | 1 Phase interrupting rating             |                                   | No of Barrels | Fig. |
|-------------|------|-------------------------------|-------------------------------------|------------|-------------------------|---|-----------------------------------|---------------|------|
|             |      |                               |                                     |            |                         | UL Component Recognition Max IR RMS Sum | Max Voltage Tested Max IR RMS Sum |               |      |
| 9F60NLD830  | 30R  | 550                           | 3600                                | Yes        | 19.12 [486]             | 50kA at 5.08kV                          | 50kA at 5.08kV                    | 2             | F    |
| 9F60NLD836  | 36R  | 650                           | 4200                                |            |                         |   |                                   |               |      |



MV

7.2KV FERRULE MOUNTED FUSES:

7.2kV R-Rated Amp-Trap Series

12.5" (317 mm) Clip Centers - Barrel diameter size D (3")



| Catalog No.    | Size | Continuous Amp rating at 40°C | Minimum Interrupting Rating RMS Amp | No of Barrels | Fig. | Indicating | Dimension L Inches (mm) | 1 Phase interrupting rating             |                                   |
|----------------|------|-------------------------------|-------------------------------------|---------------|------|------------|-------------------------|---|-----------------------------------|
|                |      |                               |                                     |               |      |            |                         | UL Component Recognition Max IR RMS Sym | Max Voltage Tested Max IR RMS Sym |
| A072F1D0R0-2R  | 2R   | 70                            | 190                                 | 1             | A    | Yes        | 15.88 [403]             | 50kA at 7.2kV                           | 50kA at 7.7kV                     |
| A072F1D0R0-3R  | 3R   | 100                           | 225                                 |               |      |            |                         |   |                                   |
| A072F1D0R0-4R  | 4R   | 130                           | 330                                 |               |      |            |                         |   |                                   |
| A072F1D0R0-5R  | 5R   | 150                           | 400                                 |               |      |            |                         |   |                                   |
| A072F1D0R0-6R  | 6R   | 170                           | 500                                 |               |      |            |                         |   |                                   |
| A072F1D0R0-9R  | 9R   | 200                           | 740                                 |               |      |            |                         |   |                                   |
| A072F1D0R0-12R | 12R  | 230                           | 955                                 | 2             | B    |            |                         |   |                                   |
| A072F2D0R0-18R | 18R  | 390                           | 1440                                |               |      |            |                         |   |                                   |
| A072F2D0R0-24R | 24R  | 450                           | 1910                                |               |      |            |                         |   |                                   |



Indicator Flush with Surface  
2 Lb. Force (Tripped)

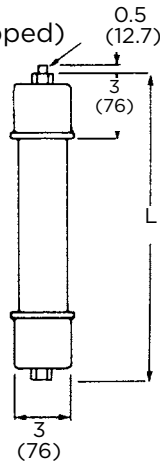


Figure A

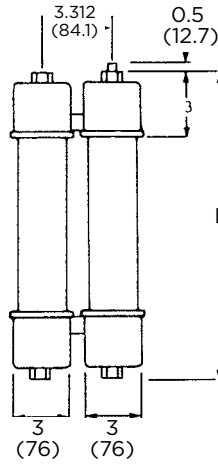


Figure B

# Motor Protection

Amp-Trap® Bolt-In Series

## MEDIUM VOLTAGE FUSES

5.08KV, 7.2KV AND 15.5KV  
BOLT-IN FUSES

M  
V



Mersen R-Rated fuses are current-limiting, high interrupting rating fuses intended for the short circuit protection of medium voltage motors and motor controllers. R-Rated fuses are back-up fuses that have a minimum interrupting rating, and must be coordinated with overload relays in combination motor starters. The motor starter manufacturer generally specifies the R-Rated fuse size. These fuses are single, double, triple or quadruple barrels 3 inches diameter with end mounts designed for bolting directly to equipment bus or terminal pads.

### FEATURES/BENEFITS:

- The Amp-Trap Bolt-in series are UL Recognized.
- Bolt-in mounting for direct connection to bus or terminals.
- Current-limiting for superior equipment protection.
- Metal embossed catalog number and manufacturing date for lasting identification.
- Blown-fuse indicator to give positive identification of open fuse. Amp-Trap: 3" Barrel 2 lb tripped force - 0.50 Inch

### HIGHLIGHTS:

- R-Rated
- UL recognized

### APPLICATIONS:

- Short circuit protection of medium voltage motors and motor controllers.

### Ratings:

#### Amp-Trap

##### A051B

- **Volts:** 5.08kV AC
- **Amps:** 2 to 38R
- **IR:** 65kA Sym

##### A072B

- **Volts:** 7.2kV AC
- **Amps:** 2 to 24R, 19R to 57X
- **IR:** 50kA Sym, 65kA Sym

##### A155B

- **Volts:** 15.5kV AC
- **Amps:** 9 to 38X
- **IR:** 50kA Sym

### APPROVALS:

- UL Recognized File E93367



DEFINITIONS:

**R-Rating:** R-Rated fuses are back-up fuses that operate as follows (Per ANSI C37.46-2000): An R-Rated fuse will melt in the range of 15 to 35 seconds at a value of current equal to 100 times the “R” rating.

**Back-up Current-Limiting Fuses:** A back-up current-limiting fuse is a fuse that can interrupt any current between its rated minimum interrupting current and its maximum interrupting current. Back-up fuses are not designed or intended to open under overload conditions.

**Continuous Ampere Rating at 40°C:** The continuous amp rating defines the thermal capability of the fuse per ANSI C37.46 and should not be the sole factor in fuse selection.

5.08KV / 7.2KV BOLT-IN FUSES:

5.08kV R-Rated Amp-Trap Bolt-In Series

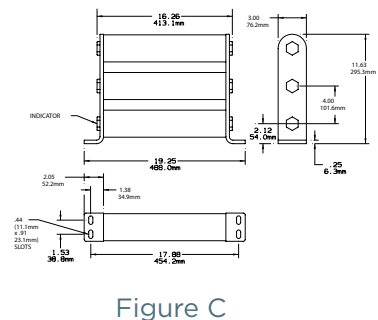
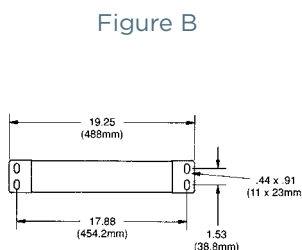
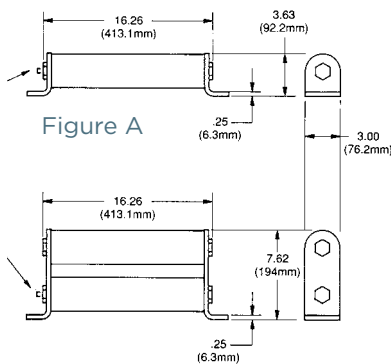


| Catalog No.    | Size | Continuous Amp rating at 40°C | Minimum Interrupting Rating RMS Amp | No of Barrels | Fig. | Indicating | 1 Phase interrupting rating             |                                   |
|----------------|------|-------------------------------|-------------------------------------|---------------|------|------------|---|-----------------------------------|
|                |      |                               |                                     |               |      |            | UL Component Recognition Max IR RMS Sym | Max Voltage Tested Max IR RMS Sym |
| A051B1DARO-2R  | 2R   | 70                            | 190                                 | 1             | A    | Yes        | 65kA at 5.08kV                          | 65kA at 5.5kV                     |
| A051B1DARO-3R  | 3R   | 100                           | 225                                 |               |      |            |   |                                   |
| A051B1DARO-4R  | 4R   | 130                           | 330                                 |               |      |            |   |                                   |
| A051B1DARO-6R  | 6R   | 170                           | 500                                 |               |      |            |   |                                   |
| A051B1DARO-9R  | 9R   | 200                           | 740                                 |               |      |            |   |                                   |
| A051B1DARO-12R | 12R  | 230                           | 955                                 | 2             | B    | Yes        | 65kA at 5.08kV                          | 65kA at 5.5kV                     |
| A051B2DARO-18R | 18R  | 390                           | 1440                                |               |      |            |   |                                   |
| A051B2DARO-24R | 24R  | 450                           | 1910                                |               |      |            |   |                                   |
| A051B2DARO-32R | 32R  | 600                           | 2500                                |               |      |            |   |                                   |
| A051B2DARO-38R | 38R  | 700                           | 3100                                | 3             | C    | Yes        | 50kA at 5.08kV                          | 50kA at 5.2kV                     |
| A051B3DARO-48X | 48X  | 750                           | 3600                                |               |      |            |   |                                   |
| A051B3DARO-57X | 57X  | 900                           | 4500                                |               |      |            |   |                                   |

7.2kV R-Rated Amp-Trap Bolt-In Series



| Catalog No.    | Size | Continuous Amp rating at 40°C | Minimum Interrupting Rating RMS Amp | No of Barrels | Fig. | Indicating | 1 Phase interrupting rating             |                                   |
|----------------|------|-------------------------------|-------------------------------------|---------------|------|------------|---|-----------------------------------|
|                |      |                               |                                     |               |      |            | UL Component Recognition Max IR RMS Sym | Max Voltage Tested Max IR RMS Sym |
| A072B1DARO-2R  | 2R   | 70                            | 190                                 | 1             | A    | Yes        | 50kA at 7.2kV                           | 50kA at 7.7kV                     |
| A072B1DARO-3R  | 3R   | 100                           | 225                                 |               |      |            |   |                                   |
| A072B1DARO-4R  | 4R   | 130                           | 330                                 |               |      |            |   |                                   |
| A072B1DARO-5R  | 5R   | 150                           | 400                                 |               |      |            |   |                                   |
| A072B1DARO-6R  | 6R   | 170                           | 500                                 |               |      |            |   |                                   |
| A072B1DARO-9R  | 9R   | 200                           | 740                                 | 2             | B    | Yes        | 50kA at 7.2kV                           | 50kA at 7.7kV                     |
| A072B1DARO-12R | 12R  | 230                           | 955                                 |               |      |            |   |                                   |
| A072B2DARO-18R | 18R  | 390                           | 1440                                |               |      |            |   |                                   |
| A072B2DARO-24R | 24R  | 450                           | 1910                                |               |      |            |   |                                   |





7.2KV / 15.5KV BOLT-IN FUSES:

7.2kV R-Rated Amp-Trap Bolt-In Series

| Catalog No.    | Size | Continuous Amp rating at 40°C | Minimum Interrupting Rating RMS Amp | Indicating | 1 Phase interrupting rating             |                                   | No of Barrels | Fig. |
|----------------|------|-------------------------------|-------------------------------------|------------|---|-----------------------------------|---------------|------|
|                |      |                               |                                     |            | UL Component Recognition Max IR RMS Sym | Max Voltage Tested Max IR RMS Sym |               |      |
| A072B1D0R0-19R | 19R  | 300                           | 1560                                | Yes        | 65kA at 7.2kV                           | 65kA at 7.5kV                     | 1             | D    |
| A072B2D0R0-32R | 32R  | 540                           | 3070                                |            |   | 65kA at 7.66kV                    | 2             | E    |
| A072B2D0R0-38R | 38R  | 600                           | 3480                                |            |   | 65kA at 7.66kV                    | 3             | F    |
| A072B3DBR0-48X | 48X  | 750                           | 4360                                |            |   | 65kA at 7.2kV                     | 3             | F    |
| A072B3DBR0-57X | 57X  | 900                           | 5000                                |            |   | 65kA at 7.2kV                     | 3             | F    |



15.5kV R-Rated Amp-Trap Bolt-In Series

| Catalog No.    | Size | Continuous Amp rating at 40°C | Minimum Interrupting Rating RMS Amp | Indicating | 1 Phase interrupting rating             |                                   | No of Barrels | Fig. |
|----------------|------|-------------------------------|-------------------------------------|------------|---|-----------------------------------|---------------|------|
|                |      |                               |                                     |            | UL Component Recognition Max IR RMS Sym | Max Voltage Tested Max IR RMS Sym |               |      |
| A155B2D0R0-9R  | 9R   | 200                           | 888                                 | Yes        | 50 kA at 15.5kV                         | 50 kA at 15.5kV                   | 2             | G    |
| A155B2D0R0-12R | 12R  | 230                           | 1200                                |            |   |                                   | 3             | H    |
| A155B3D0R0-18X | 18X  | 390                           | 1900                                |            |   |                                   | 4             | J    |
| A155B3D0R0-24X | 24X  | 450                           | 2633                                |            |   |                                   |               |      |
| A155B4D0R0-32X | 32X  | 600                           | 3510                                |            |   |                                   |               |      |
| A155B4D0R0-38X | 38X  | 700                           | 4000                                |            |   |                                   |               |      |

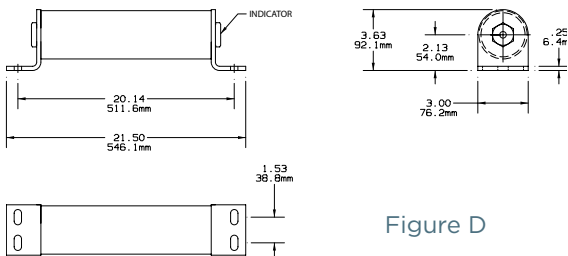


Figure D

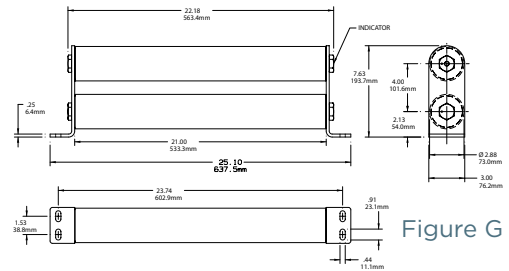


Figure G

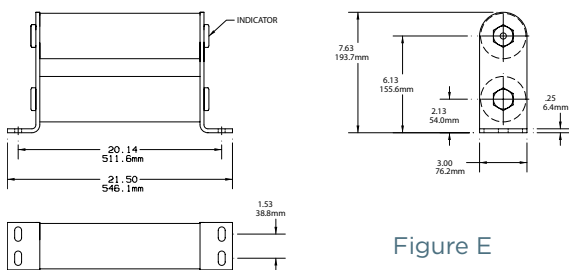


Figure E

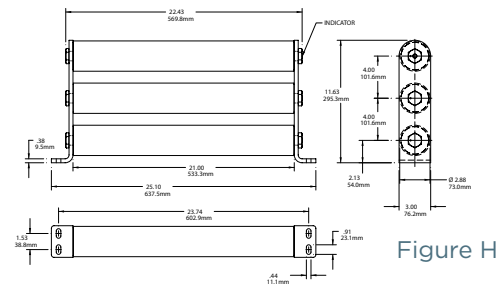


Figure H

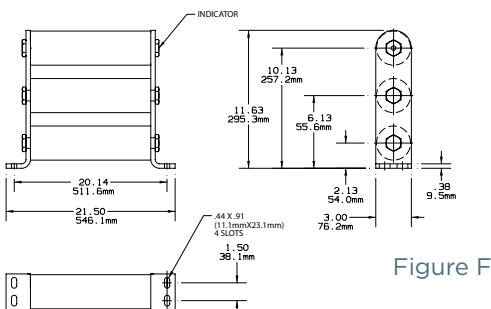


Figure F

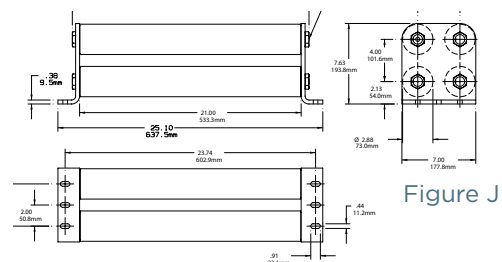


Figure J

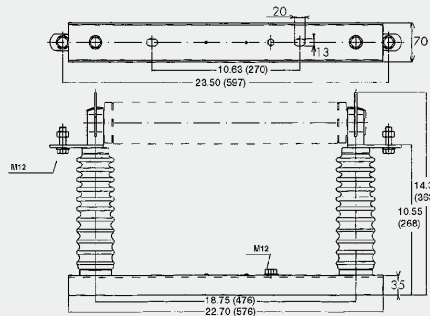


# Motor Protection

Amp-Trap® DIN-Style Fuses

MEDIUM VOLTAGE FUSES

R-RATED IEC DIN STYLE MV FUSES



Amp-Trap® R-Rated DIN style fuses are current-limiting, high interrupting rating fuses, intended for the short circuit protection of medium voltage motors and motor controllers. This product range offers North American R-Rated performance in the IEC 282-1 DIN mounting configuration of 442mm. R-Rated fuses are applied as back up fuses that have a minimum interrupting rating, and must be coordinated with overload relays in combination motor starters. Amp-Trap R-Rated, DIN type fuses are offered in voltage ratings of 3.3kV, 5.3kV and 7.2kV in ratings from 2R to 19R. All fuses within this product group are UL component recognized.

## DEFINITIONS:

**R-Rating:** R-Rated fuses are back-up fuses that operate as follows (Per ANSI C37.46-2000): An R-Rated fuse will melt in the range of 15 to 35 seconds at a value of current equal to 100 times the “R” rating.

**Back-up Current-Limiting Fuses:** A back-up current-limiting fuse is a fuse that can interrupt any current between its rated minimum interrupting current and its maximum interrupting current. Back-up fuses are not designed or intended to open under overload conditions.

**Continuous Ampere Rating at 40°C:** The continuous amp rating defines the thermal capability of the fuse per ANSI C37.46 and should not be the sole factor in fuse selection.

**Spring-Reinforced Clip** MR45 & Spring Ref.# L096472

**Fuse-Holder:** SI 24/442 Ref # K209424 In compliance with IEC 282-1, DIN standard 43625. \* Note: Ratings above 19R may be achieved by paralleling fuses. Please consult factory for details.

## RATINGS:

### A033D1

- **Volts:** 3300V AC
- **Amps:** 2 to 19R\*
- **IR:** 65kA Sym

### A055D1

- **Volts:** 5300V AC
- **Amps:** 2 to 19R\*
- **IR:** 65kA Sym

### A072D1

- **Volts:** 7200V AC
- **Amps:** 2 to 19R\*
- **IR:** 65kA Sym

## FEATURES/BENEFITS:

- Clip mount DIN 45: R-Rated fuses with North American ANSI characteristics in a standard DIN 442mm size.
- Current-limiting for superior equipment protection
- Blown fuse indicator provides positive identification of open fuse. 4.5lb tripping force - 1.0”.

## HIGHLIGHTS:

- R-Rated
- UL recognized

## APPLICATIONS:

- Short circuit protection of medium voltage motors and motor controllers.

## APPROVALS:

- UL recognized component File E93367



| Fig.                                   | Catalog Number | Size | Continuous Amp Rating 55 ° C** | Continuous Amp Rating 40 ° C** | Minimum Interrupting Rating RMS Rating | 1 Phase Interrupting Rating Maximum Tested |              |
|--|----------------|------|--------------------------------|--------------------------------|--|--|--------------|
|  |                |      |                                |                                |  | RMS Asym                                   | RMS Sym      |
| <b>3.3kv Max. DIN IEC Style 442 mm</b> |                |      |                                |                                |  |  |              |
| A                                      | A033D1DSR0-2R  | 2R   | 63                             | 70                             | 190                                    | 100kA @ 3300V                              | 65kA @ 3300V |
| A                                      | A033D1DSR0-3R  | 3R   | 90                             | 100                            | 225                                    |  |              |
| A                                      | A033D1DSR0-4R  | 4R   | 115                            | 130                            | 225                                    |  |              |
| A                                      | A033D1DSR0-5R  | 5R   | 135                            | 150                            | 400                                    |  |              |
| A                                      | A033D1DSR0-6R  | 6R   | 150                            | 170                            | 540                                    |  |              |
| A                                      | A033D1DSR0-9R  | 9R   | 180                            | 200                            | 780                                    |  |              |
| A                                      | A033D1DSR0-12R | 12R  | 210                            | 230                            | 955                                    |  |              |
| A                                      | A033D1DSR0-13R | 13R* | 230                            | 260                            | 1050                                   |  |              |
| A                                      | A033D1DSR0-16R | 16R* | 270                            | 300                            | 1200                                   |  |              |
| A                                      | A033D1DSR0-19R | 19R* | 280                            | 310                            | 1280                                   |  |              |
| <b>5.5kV Max. DIN IEC Style 442 mm</b> |                |      |                                |                                |  |  |              |
| A                                      | A055D1DSR0-2R  | 2R   | 63                             | 70                             | 190                                    | 100kA @ 5500V                              | 65kA @ 5500V |
| A                                      | A055D1DSR0-3R  | 3R   | 90                             | 100                            | 225                                    |  |              |
| A                                      | A055D1DSR0-4R  | 4R   | 115                            | 130                            | 225                                    |  |              |
| A                                      | A055D1DSR0-5R  | 5R   | 135                            | 150                            | 400                                    |  |              |
| A                                      | A055D1DSR0-6R  | 6R   | 150                            | 170                            | 540                                    |  |              |
| A                                      | A055D1DSR0-9R  | 9R   | 180                            | 200                            | 780                                    |  |              |
| A                                      | A055D1DSR0-12R | 12R  | 210                            | 230                            | 955                                    |  |              |
| A                                      | A055D1DSR0-13R | 13R* | 230                            | 260                            | 1050                                   |  |              |
| A                                      | A055D1DSR0-16R | 16R* | 270                            | 300                            | 1200                                   |  |              |
| A                                      | A055D1DSR0-19R | 19R* | 280                            | 310                            | 1280                                   |  |              |
| <b>7.2kV Max. DIN IEC Style 442 mm</b> |                |      |                                |                                |  |  |              |
| A                                      | A072D1DSR0-2R  | 2R   | 63                             | 70                             | 190                                    | 100kA @ 7200V                              | 65kA @ 7200V |
| A                                      | A072D1DSR0-3R  | 3R   | 90                             | 100                            | 225                                    |  |              |
| A                                      | A072D1DSR0-4R  | 4R   | 115                            | 130                            | 400                                    |  |              |
| A                                      | A072D1DSR0-5R  | 5R   | 135                            | 150                            | 540                                    |  |              |
| A                                      | A072D1DSR0-6R  | 6R   | 150                            | 170                            | 550                                    |  |              |
| A                                      | A072D1DSR0-9R  | 9R   | 180                            | 200                            | 780                                    |  |              |
| A                                      | A072D1DSR0-12R | 12R  | 210                            | 230                            | 955                                    |  |              |
| A                                      | A072D1DSR0-13R | 13R* | 230                            | 260                            | 1050                                   |  |              |
| A                                      | A072D1DSR0-16R | 16R* | 270                            | 300                            | 1200                                   |  |              |
| A                                      | A072D1DSR0-19R | 19R* | 280                            | 310                            | 1280                                   |  |              |

\* 13R, 16R and 19R are not standard ratings defined in ANSI C37.46.

\*\* This rating defines the thermal capability of the fuse per ANSI 37.46 and should not be the sole factor in fuse selection.

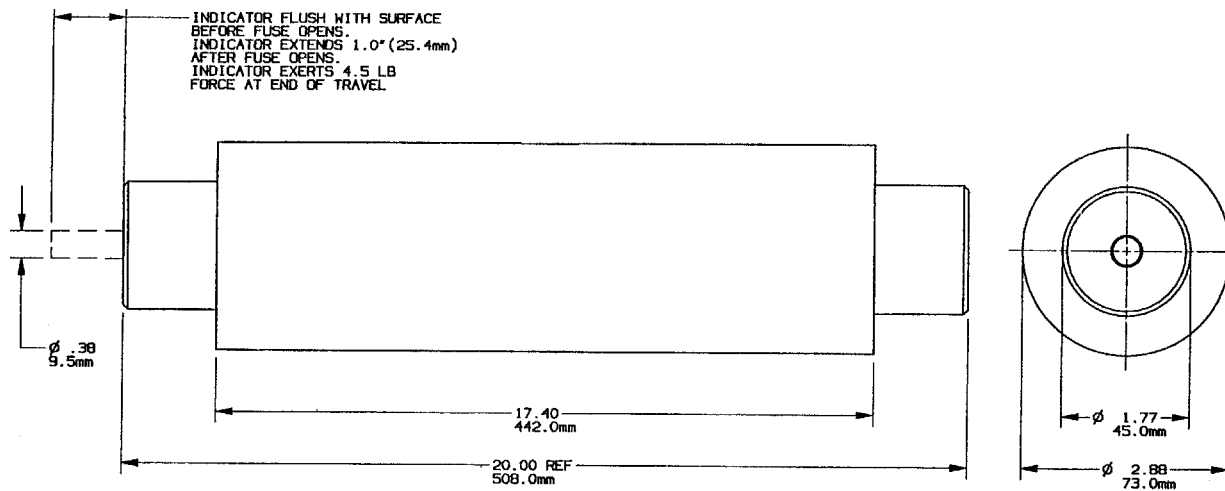


Figure A

# Potential Transformer

Amp-Trap® and 9F60 Series PT Fuses

## MEDIUM VOLTAGE FUSES

0.625KV - 2.4KV - 2.75KV - 4.8KV - 5.0KV - 5.5KV - 7.2KV - 8.25KV AND  
15.5KV FERRULE MOUNTED FUSES



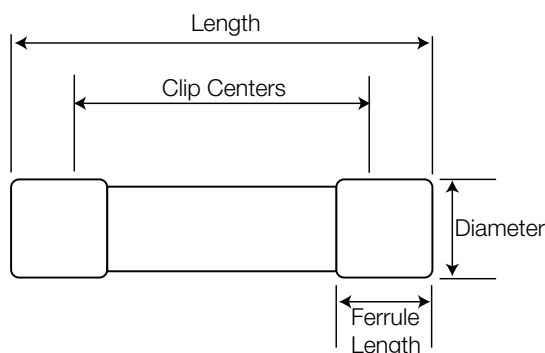
Mersen PT fuses are current-limiting fuses with high interrupting rating, used for the primary winding protection of potential transformer. They are small dimension ferrule type fuses and mount in standard clips. Current ratings are from 0.25A to 5A.

### FEATURES/BENEFITS:

- Ferrule mounting for standard clips and interchangeability with other brands of fuses.
- Current-limiting for superior equipment protection.
- Non-venting for silent operation.
- Metal embossed catalog number and manufacturing date for lasting identification.
- Blown-fuse indicator to give positive identification of open fuse fuse is available on the 9F60 series.

### APPLICATIONS:

- Primary protection for potential transformers (PT) or control power transformers (CPT).



### RATINGS:

#### Amp-Trap

##### A240T

- **Volts:** 2.4kVAC
- **Amps:** 0.5 to 5A
- **IR:** 50kA Sym

##### A480T

- **Volts:** 4.8kVAC
- **Amps:** 0.5 to 5A
- **IR:** 80kA Sym

##### A500T

- **Volts:** 5.0kVAC
- **Amps:** 0.25 to 5A
- **IR:** 80kA Sym

##### A720T

- **Volts:** 7.2kVAC
- **Amps:** 0.5 to 3A
- **IR:** 50kA Sym

#### 9F60 Series EJ-1

##### 9F60A

- **Volts:** .625kVAC
- **Amps:** 3 to 5A
- **IR:** 100kA Sym

##### 9F60B

- **Volts:** 2.75kVAC, 5.5kVAC, 8.25kVAC, 15.5kVAC
- **Amps:** 0.5 to 3A
- **IR:** 52kA Sym, 63kA Sym, 50kA Sym, 120kA Sym

M  
V

### 0.625KV / 2.4KV / 2.75KV FERRULE MOUNTED FUSES:

#### 0.625kV Potential Transformer fuses – 9F60 Series, EJ-1

4.25" (108 mm) Clip Centers

| Catalog No. | Amp Rating | Indicating | Diameter Inches (mm) | Length Inches (mm) | Ferrule Length Inches (mm) | Max Voltage | Max IR RMS Sym | Spare Parts (Clips*) | Spare Parts (Live Parts) | Fuse Support Indoor (EK-1) |
|-------------|------------|------------|----------------------|--------------------|----------------------------|-------------|----------------|----------------------|--------------------------|----------------------------|
| 9F60AAA003  | 3A         | Yes        | 0.812 [20.6]         | 4.625 [117.5]      | 1.12 [28.4]                | .625 kV     | 100kA          | C08917P              | -                        | -                          |
| 9F60AAA005  | 5A         |            |                      |                    |                            |             |                |                      |                          |                            |
| 9F60AAA007  | 7A         |            |                      |                    |                            |             |                |                      |                          |                            |
| 9F60AAA010  | 10A        |            |                      |                    |                            |             |                |                      |                          |                            |

#### 2.4kV Potential Transformer fuses – Amp-Trap Series

4.00" (102 mm) Clip Centers

| Catalog No. | Amp Rating | Indicating | Diameter Inches (mm) | Length Inches (mm) | Ferrule Length Inches (mm) | Max Voltage | Max IR RMS Sym | Spare Parts (Clips*) | Spare Parts (Live Parts) | Fuse Support Indoor (EK-1) |
|-------------|------------|------------|----------------------|--------------------|----------------------------|-------------|----------------|----------------------|--------------------------|----------------------------|
| A240T1/2E   | 0.5A       | No         | 0.812 [20.6]         | 4.625 [117.5]      | 0.625 [15.9]               | 2.4kV       | 50kA           | C08917P              | -                        | -                          |
| A240T1E     | 1A         |            |                      |                    |                            |             |                |                      |                          |                            |
| A240T2E     | 2A         |            |                      |                    |                            |             |                |                      |                          |                            |
| A240T5E     | 5A         |            |                      |                    |                            |             |                |                      |                          |                            |

#### 2.75kV Potential Transformer fuses – 9F60 Series, EJ-1

4.25" (108 mm) Clip Centers

| Catalog No. | Amp Rating | Indicating | Diameter Inches (mm) | Length Inches (mm) | Ferrule Length Inches (mm) | Max Voltage | Max IR RMS Sym | Spare Parts (Clips*) | Spare Parts (Live Parts) | Fuse Support Indoor (EK-1) |
|-------------|------------|------------|----------------------|--------------------|----------------------------|-------------|----------------|----------------------|--------------------------|----------------------------|
| 9F60AAB001  | 1A         | Yes        | 0.812 [20.6]         | 4.625 [117.5]      | 1.12 [28.4]                | 2.75kV      | 52kA           | C08917P              | -                        | -                          |
| 9F60AAB002  | 2A         |            |                      |                    |                            |             |                |                      |                          |                            |

#### 2.75kV Potential Transformer fuses – 9F60 Series, EJ-1

6" (152 mm) Clip Centers

| Catalog No. | Amp Rating | Indicating | Diameter Inches (mm) | Length Inches (mm) | Ferrule Length Inches (mm) | Max Voltage | Max IR RMS Sym | Spare Parts (Clips*) | Spare Parts (Live Parts) | Fuse Support Indoor (EK-1) |
|-------------|------------|------------|----------------------|--------------------|----------------------------|-------------|----------------|----------------------|--------------------------|----------------------------|
| 9F60BBB001  | 1A         | Yes        | 1.562 [40]           | 7.375 [187]        | 1.31 [33.3]                | 2.75kV      | 52kA           | 9F61BWW460           | 9F61BNW450               | -                          |
| 9F60BBB002  | 2A         |            |                      |                    |                            |             |                |                      |                          |                            |
| 9F60BBB003  | 3A         |            |                      |                    |                            |             |                |                      |                          |                            |

#### 2.75kV Potential Transformer fuses – 9F60 Series, EJ-1

8.12" (206 mm) Clip Centers

| Catalog No. | Amp Rating | Indicating | Diameter Inches (mm) | Length Inches (mm) | Ferrule Length Inches (mm) | Max Voltage | Max IR RMS Sym | Spare Parts (Clips*) | Spare Parts (Live Parts) | Fuse Support Indoor (EK-1) |
|-------------|------------|------------|----------------------|--------------------|----------------------------|-------------|----------------|----------------------|--------------------------|----------------------------|
| 9F60BDB001  | 1A         | Yes        | 1.562 [40]           | 9.5 [241]          | 1.31 [33.3]                | 2.75 kV     | 52kA           | 9F61BWW460           | 9F61BNW450               | 9F61ABB101                 |
| 9F60BDB002  | 2A         |            |                      |                    |                            |             |                |                      |                          |                            |
| 9F60BDB003  | 3A         |            |                      |                    |                            |             |                |                      |                          |                            |

\*Use two clips per fuse



**4.8KV / 5KV / 5.4KV FERRULE MOUNTED FUSES:**

**4.8kV Potential Transformer fuses - Amp-Trap Series**

5" (127 mm) Clip Centers

| Catalog No. | Amp Rating | Indicating | Diameter Inches (mm) | Length Inches (mm) | Ferrule Length Inches (mm) | Max Voltage | Max IR RMS Sym | Spare Parts (Clips*) | Spare Parts (Live Parts) | Fuse Support Indoor (EK-1) |
|-------------|------------|------------|----------------------|--------------------|----------------------------|-------------|----------------|----------------------|--------------------------|----------------------------|
| A480T1/2E   | 0.5A       | No         | 0.812 (20.6)         | 5.625 (143)        | 0.625 (15.9)               | 5.5kV       | 80kA           | C08917P              | -                        | -                          |
| A480T3/4E   | 0.75A      |            |                      |                    |                            |             |                |                      |                          |                            |
| A480T1E     | 1A         |            |                      |                    |                            |             |                |                      |                          |                            |
| A480T2E     | 2A         |            |                      |                    |                            |             |                |                      |                          |                            |
| A480T3E     | 3A         |            |                      |                    |                            |             |                |                      |                          |                            |
| A480T4E     | 4A         |            |                      |                    |                            |             |                |                      |                          |                            |
| A480T5E     | 5A         |            |                      |                    |                            |             |                |                      |                          |                            |

**5kV Potential Transformer fuses - Amp-Trap Series**

5" (127 mm) Clip Centers

| Catalog No. | Amp Rating | Indicating | Diameter Inches (mm) | Length Inches (mm) | Ferrule Length Inches (mm) | Max Voltage | Max IR RMS Sym | Spare Parts (Clips*) | Spare Parts (Live Parts) | Fuse Support Indoor (EK-1) |
|-------------|------------|------------|----------------------|--------------------|----------------------------|-------------|----------------|----------------------|--------------------------|----------------------------|
| A500T1/4E-1 | 0.25A      | No         | 1.00 (25.4)          | 5.625 (143)        | 0.563 (14.3)               | 5.5kV       | 80kA           | -                    | -                        | -                          |
| A500T1/2E-1 | 0.5A       |            |                      |                    |                            |             |                |                      |                          |                            |
| A500T1E-1   | 1A         |            |                      |                    |                            |             |                |                      |                          |                            |
| A500T2E-1   | 2A         |            |                      |                    |                            |             |                |                      |                          |                            |
| A500T3E-1   | 3A         |            |                      |                    |                            |             |                |                      |                          |                            |
| A500T4E-1   | 4A         |            |                      |                    |                            |             |                |                      |                          |                            |
| A500T5E-1   | 5A         |            |                      |                    |                            |             |                |                      |                          |                            |

**5.5kV Potential Transformer fuses - 9F60 Series, EJ-1**

6.00" (152 mm) Clip Centers

| Catalog No. | Amp Rating | Indicating | Diameter Inches (mm) | Length Inches (mm) | Ferrule Length Inches (mm) | Max Voltage | Max IR RMS Sym | Spare Parts (Clips*) | Spare Parts (Live Parts) | Fuse Support Indoor (EK-1) |
|-------------|------------|------------|----------------------|--------------------|----------------------------|-------------|----------------|----------------------|--------------------------|----------------------------|
| 9F60BDD905  | 0.5A       | Yes        | 1.562 (40)           | 7.375 (187)        | 1.31 (33.3)                | 5.5 kV      | 80kA           | 9F61BWW460           | 9F61BNW450               | -                          |
| 9F60BDD001  | 1A         |            |                      |                    |                            |             |                |                      |                          |                            |
| 9F60BDD002  | 2A         |            |                      |                    |                            |             |                |                      |                          |                            |
| 9F60BDD003  | 3A         |            |                      |                    |                            |             |                |                      |                          |                            |
| 9F60BBN905  | 0.5A       | No         | 1.562 (40)           | 7.375 (187)        | 1.31 (33.3)                | 5.5 kV      | 80kA           | 9F61BWW460           | 9F61BNW450               | -                          |
| 9F60BBN001  | 1A         |            |                      |                    |                            |             |                |                      |                          |                            |
| 9F60BBN002  | 2A         |            |                      |                    |                            |             |                |                      |                          |                            |
| 9F60BBN003  | 3A         |            |                      |                    |                            |             |                |                      |                          |                            |

**5.5kV Potential Transformer fuses - 9F60 Series, EJ-1**

8.12" (206 mm) Clip Centers

| Catalog No. | Amp Rating | Indicating | Diameter Inches (mm) | Length Inches (mm) | Ferrule Length Inches (mm) | Max Voltage | Max IR RMS Sym | Spare Parts (Clips*) | Spare Parts (Live Parts) | Fuse Support Indoor (EK-1) |
|-------------|------------|------------|----------------------|--------------------|----------------------------|-------------|----------------|----------------------|--------------------------|----------------------------|
| 9F60BDD905  | 0.5A       | Yes        | 1.562 (40)           | 9.5 (241)          | 1.31 (33.3)                | 5.5 kV      | 63kA           | 9F61BWW460           | 9F61BNW450               | 9F61ABB101                 |
| 9F60BDD001  | 1A         |            |                      |                    |                            |             |                |                      |                          |                            |
| 9F60BDD002  | 2A         |            |                      |                    |                            |             |                |                      |                          |                            |
| 9F60BDD003  | 3A         |            |                      |                    |                            |             |                |                      |                          |                            |

\*Use two clips per fuse



### 7.2KV / 8.25KV / 15.5KV FERRULE MOUNTED FUSES:

#### 7.2kV Potential Transformer fuses – Amp-Trap Series

8.88" (227 mm) Clip Centers

| Catalog No. | Amp Rating | Indicating | Diameter Inches (mm) | Length Inches (mm) | Ferrule Length Inches (mm) | Max Voltage | Max IR RMS Sym | Spare Parts (Clips*) | Spare Parts (Live Parts) | Fuse Support Indoor (EK-1) |
|-------------|------------|------------|----------------------|--------------------|----------------------------|-------------|----------------|----------------------|--------------------------|----------------------------|
| A720T1/2E-1 | 0.5A       | No         | 0.812 (20.6)         | 9.5 (241)          | 0.625 (15.9)               | 7.2kV       | 50kA           | C08917P              | -                        | -                          |
| A720T3/4-1  | 0.75A      |            |                      |                    |                            |             |                |                      |                          |                            |
| A720T1E-1   | 1A         |            |                      |                    |                            |             |                |                      |                          |                            |
| A720T2E-1   | 2A         |            |                      |                    |                            |             |                |                      |                          |                            |
| A720T3E-1   | 3A         |            |                      |                    |                            |             |                |                      |                          |                            |

#### 8.25kV Potential Transformer fuses – 9F60 Series, EJ-1

8.12" (206 mm) Clip Centers

| Catalog No. | Amp Rating | Indicating | Diameter Inches (mm) | Length Inches (mm) | Ferrule Length Inches (mm) | Max Voltage | Max IR RMS Sym | Spare Parts (Clips*) | Spare Parts (Live Parts) | Fuse Support Indoor (EK-1) |
|-------------|------------|------------|----------------------|--------------------|----------------------------|-------------|----------------|----------------------|--------------------------|----------------------------|
| 9F60BDE905  | 0.5A       | Yes        | 1.562 (40)           | 9.5 (241)          | 1.31 (33.3)                | 8.25 kV     | 80kA           | 9F61BWW460           | 9F61BNW450               | 9F61ABG101                 |
| 9F60BDE001  | 1A         |            |                      |                    |                            |             |                |                      |                          |                            |
| 9F60BDE002  | 2A         |            |                      |                    |                            |             |                |                      |                          |                            |
| 9F60BDE003  | 3A         |            |                      |                    |                            |             |                |                      |                          |                            |

#### 15.5kV Potential Transformer fuses – 9F60 Series, EJ-1

11.5" (292 mm) Clip Centers

| Catalog No. | Amp Rating | Indicating | Diameter Inches (mm) | Length Inches (mm) | Ferrule Length Inches (mm) | Max Voltage | Max IR RMS Sym | Spare Parts (Clips*) | Spare Parts (Live Parts) | Fuse Support Indoor (EK-1)   |
|-------------|------------|------------|----------------------|--------------------|----------------------------|-------------|----------------|----------------------|--------------------------|--|
| 9F60BHH905  | 0.5A       | Yes        | 1.562 (40)           | 12.875 (327)       | 1.31 (33.3)                | 15.5 kV     | 120kA          | 9F61BWW460           | 9F61BNW450               | 9F61ADG101 (13.8kV nominal - 95 kV BIL)<br>9F61ADJ101 (14.4kV nominal - 110kV BIL) |
| 9F60BHH001  | 1A         |            |                      |                    |                            |             |                |                      |                          |  |
| 9F60BHH002  | 2A         |            |                      |                    |                            |             |                |                      |                          |  |
| 9F60BHH003  | 3A         |            |                      |                    |                            |             |                |                      |                          |  |

\*Use two clips per fuse



# Capacitor Protection

Amp-Trap® and 9F60 Series

MEDIUM VOLTAGE FUSES

## MEDIUM VOLTAGE CAPACITOR FUSES



Mersen capacitor fuses are designed to ANSI C37-41. They are current-limiting operating without noise or discharge and are designed to be used indoors in a general purpose enclosure or outdoors in a weatherproof enclosure. These are non-disconnecting fuses requiring the use of a disconnect switch. These capacitor fuses provide both short circuit and overload protection and are intended to protect against capacitor case rupture or dielectric failure within the capacitor.

The various mounting configurations offer manufacturers a wide range of cost/space saving solutions and a large choice of equivalent products.

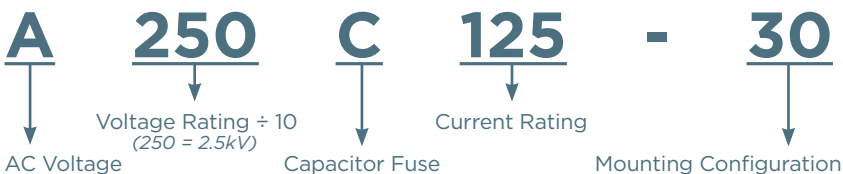
### FEATURES/BENEFITS:

- High interrupting capacity
- Current limitation
- Blown-fuse indication
- Direct mount
- Clip style mount
- Bus mount
- Non-venting for silent operation

### APPLICATIONS:

- Capacitor Protection
- Power Factor Correction Equipment
- Harmonic Filtering Equipment
- Induction Heating System
- High Power Drive
- Welders

### CATALOG NUMBERING SYSTEM:



### Ratings:

#### A100C

- **Volts:** 1000V AC Max.
- **Amps:** 25 to 125 A
- **IR:** 50 kA Sym

#### A150C

- **Volts:** 1500V AC Max.
- **Amps:** 25 to 200 A
- **IR:** 40 kA Sym

#### A250C

- **Volts:** 2500V AC Max.
- **Amps:** 25 to 200 A
- **IR:** 50 kA Sym

#### A300C

- **Volts:** 3000V AC Max.
- **Amps:** 50 to 175 A
- **IR:** 50 kA Sym

#### A430C

- **Volts:** 4300V AC Max.
- **Amps:** 6 to 100 A
- **IR:** 65 kA Sym

#### A550C

- **Volts:** 5500V AC Max.
- **Amps:** 6 to 75 A
- **IR:** 65 kA Sym

#### 9F60RJD

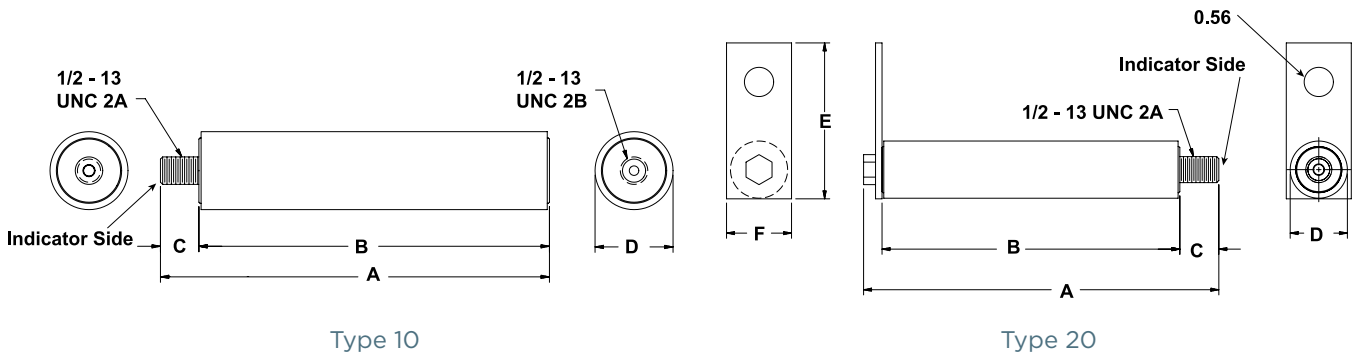
- **Volts:** 5500V AC Max.
- **Amps:** 25 to 80 A
- **IR:** 50 kA Sym

#### 9F60RJF

- **Volts:** 9520V AC Max.
- **Amps:** 15 to 40A
- **IR:** 50 kA Sym

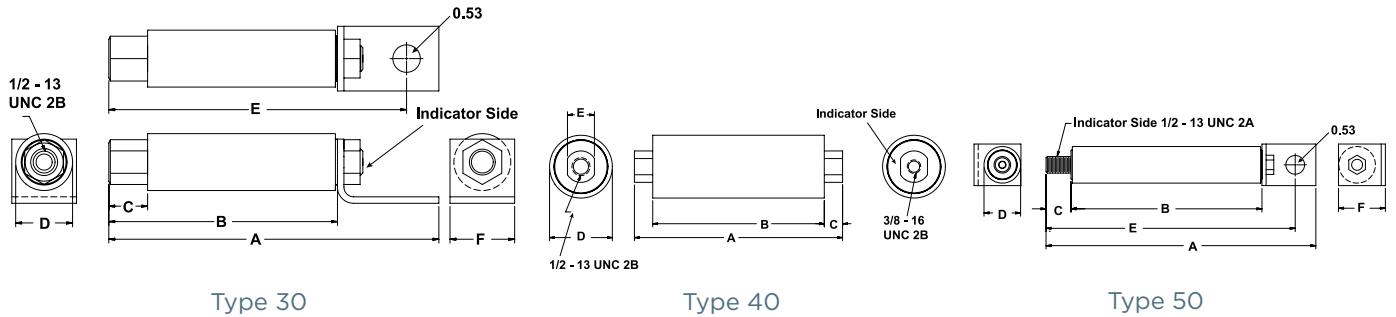
### 1.0 KV - 1.5 KV CAPACITOR FUSES AMP-TRAP SERIES

| Catalog Number   | Ampere Rating | Melting I <sup>2</sup> t (kA <sup>2</sup> s) | Maximum 1 Clearing I <sup>2</sup> t (kA <sup>2</sup> s) | Maximum 1 Phase Interrupting Rating | Overall Length Inches (mm) | Tube Length Inches (mm) | Ind. Housing Inches (mm) | Body Dia Inches (mm) | Bracket Dimensions Inches (mm) |             |
|--|---------------|--|---|-------------------------------------|----------------------------|-------------------------|--------------------------|----------------------|--------------------------------|-------------|
| <b>1.5 kV Max Type 10 inner thread to screw</b>        |               |  |   |                                     | <b>A</b>                   | <b>B</b>                | <b>C</b>                 | <b>D</b>             | <b>E</b>                       | <b>F</b>    |
| A150C25-10   | 25            | 4  | 12  | 40 kA @ 1500V RMS Sym               | 7.08 (179.8)               | 6.38 (162.1)            | .70 (17.8)               | 1.42 (36.0)          |                                |             |
| A150C50-10   | 50            | 16   | 50  |                                     |                            |                         |                          |                      |                                |             |
| A150C60-10   | 60            | 25   | 70  |                                     |                            |                         |                          |                      |                                |             |
| A150C75-10   | 75            | 35   | 110   |                                     |                            |                         |                          |                      |                                |             |
| A150C90-10   | 90            | 50   | 150   |                                     |                            |                         |                          |                      |                                |             |
| A150C100-10  | 100           | 65   | 200   |                                     |                            |                         |                          |                      |                                |             |
| A150C110-10  | 110           | 80   | 250   |                                     |                            |                         |                          |                      |                                |             |
| A150C120-10  | 120           | 100  | 310   |                                     |                            |                         |                          |                      |                                |             |
| A150C125-10  | 125           | 125  | 330   |                                     |                            |                         |                          |                      |                                |             |
| A150C130-10  | 130           | 125  | 330   |                                     |                            |                         |                          |                      |                                |             |
| A150C135-10  | 135           | 130  | 350   |                                     |                            |                         |                          |                      |                                |             |
| A150C140-10  | 140           | 130  | 350   |                                     |                            |                         |                          |                      |                                |             |
| A150C150-10  | 150           | 150  | 390   |                                     |                            |                         |                          |                      |                                |             |
| A150C160-10  | 160           | 185  | 480   |                                     |                            |                         |                          |                      |                                |             |
| A150C165-10  | 165           | 185  | 480   |                                     |                            |                         |                          |                      |                                |             |
| A150C175-10  | 175           | 225  | 600   |                                     |                            |                         |                          |                      |                                |             |
| A150C200-10  | 200           | 300  | 800   |                                     |                            |                         |                          |                      |                                |             |
| <b>1.5 kV Max Type 20 screw to bolt (flat bracket)</b> |               |  |   |                                     | <b>A</b>                   | <b>B</b>                | <b>C</b>                 | <b>D</b>             | <b>E</b>                       | <b>F</b>    |
| A150C25-20   | 25            | 3.2  | 6.5   | 40 kA @ 1500V RMS Sym               | 6.84 (173.6)               | 5.73 (145.5)            | 1.42 (36.0)              | 1.10 (27.9)          | 3.00 (76.2)                    | 1.25 (31.8) |
| A150C50-20   | 50            | 13   | 27  |                                     |                            |                         |                          |                      |                                |             |
| A150C60-20   | 60            | 18   | 38  |                                     |                            |                         |                          |                      |                                |             |
| A150C75-20   | 75            | 30   | 60  |                                     |                            |                         |                          |                      |                                |             |
| A150C90-20   | 90            | 35   | 72  |                                     |                            |                         |                          |                      |                                |             |
| A150C100-20  | 100           | 52   | 105   |                                     |                            |                         |                          |                      |                                |             |
| A150C110-20  | 110           | 58   | 120   |                                     |                            |                         |                          |                      |                                |             |
| A150C120-20  | 120           | 73   | 150   |                                     |                            |                         |                          |                      |                                |             |
| A150C125-20  | 125           | 82   | 165   |                                     |                            |                         |                          |                      |                                |             |
| A150C130-20  | 130           | 90   | 190   |                                     |                            |                         |                          |                      |                                |             |
| A150C135-20  | 135           | 90   | 190   |                                     |                            |                         |                          |                      |                                |             |
| A150C140-20  | 140           | 105  | 220   |                                     |                            |                         |                          |                      |                                |             |
| A150C150-20  | 150           | 120  | 240   |                                     |                            |                         |                          |                      |                                |             |



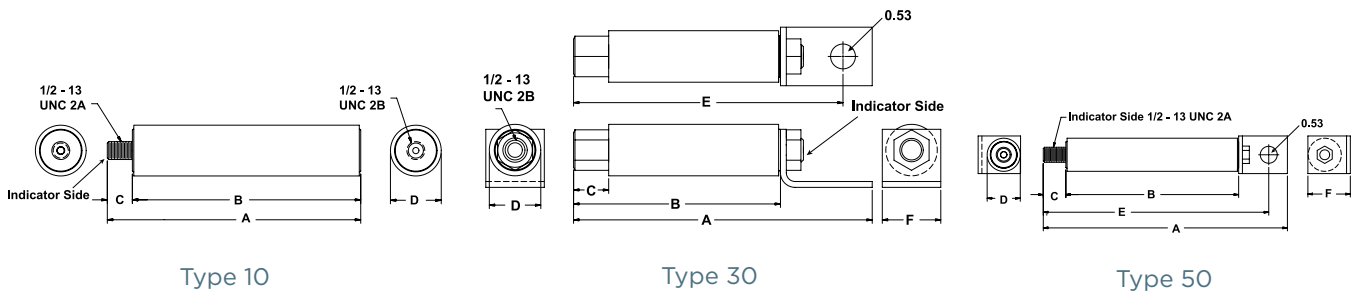
1.0 KV - 1.5 KV CAPACITOR FUSES AMP-TRAP SERIES

| Catalog Number  | Ampere Rating | Melting I <sup>2</sup> t (kA <sup>2</sup> s) | Maximum 1 Clearing I <sup>2</sup> t (kA <sup>2</sup> s) | Maximum 1 Phase Interrupting Rating | Overall Length Inches (mm) | Tube Length Inches (mm) | Ind. Housing Inches (mm) | Body Dia Inches (mm) | Bracket Dimensions Inches (mm) |             |
|---|---------------|--|---|-------------------------------------|----------------------------|-------------------------|--------------------------|----------------------|--------------------------------|-------------|
| <b>1.0 KV Max Type 30 external female to bolt (L bracket)</b> |               |  |   |                                     | <b>A</b>                   | <b>B</b>                | <b>C</b>                 | <b>D</b>             | <b>E</b>                       | <b>F</b>    |
| A100C25-30  | 25            | 4  | 10  | 50 kA @1000V<br>RMS Sym             | 6.38 (162.1)               | 4.42 (112.3)            | .75 (19.1)               | 1.10 (27.9)          | 5.76 (146.2)                   | 1.25 (31.8) |
| A100C50-30  | 50            | 16   | 40  |                                     |                            |                         |                          |                      |                                |             |
| A100C60-30  | 60            | 25   | 60  |                                     |                            |                         |                          |                      |                                |             |
| A100C75-30  | 75            | 35   | 95  |                                     |                            |                         |                          |                      |                                |             |
| A100C90-30  | 90            | 50   | 130   |                                     |                            |                         |                          |                      |                                |             |
| A100C100-30   | 100           | 65   | 165   |                                     |                            |                         |                          |                      |                                |             |
| A100C110-30   | 110           | 80   | 205   |                                     |                            |                         |                          |                      |                                |             |
| A100C125-30   | 125           | 100  | 250   |                                     |                            |                         |                          |                      |                                |             |
| <b>1.5 KV Max Type 40 external female to external female</b>  |               |  |   |                                     | <b>A</b>                   | <b>B</b>                | <b>C</b>                 | <b>D</b>             | <b>E</b>                       | <b>F</b>    |
| A150C100-40   | 100           | 125  | 140   | 40 kA @1500V<br>RMS Sym             | 6.84 (173.6)               | 4.78 (121.4)            | .51 (13.0)               | 1.75 (27.9)          | .75 (19.1)                     | 1.41 (35.8) |
| A150C110-40   | 110           | 125  | 180   |                                     |                            |                         |                          |                      |                                |             |
| A150C125-40   | 125           | 130  | 230   |                                     |                            |                         |                          |                      |                                |             |
| A150C130-40   | 130           | 130  | 230   |                                     |                            |                         |                          |                      |                                |             |
| A150C140-40   | 140           | 150  | 285   |                                     |                            |                         |                          |                      |                                |             |
| A150C150-40   | 150           | 185  | 315   |                                     |                            |                         |                          |                      |                                |             |
| A150C160-40   | 160           | 185  | 360   |                                     |                            |                         |                          |                      |                                |             |
| A150C175-40   | 175           | 225  | 410   |                                     |                            |                         |                          |                      |                                |             |
| A150C200-40   | 200           | 300  | 560   |                                     |                            |                         |                          |                      |                                |             |
| <b>1.5 KV Max Type 50 screw to bolt (L bracket)</b>           |               |  |   |                                     | <b>A</b>                   | <b>B</b>                | <b>C</b>                 | <b>D</b>             | <b>E</b>                       | <b>F</b>    |
| A150C50-50  | 50            | 13   | 27  | 40 kA @1500V<br>RMS Sym             | 8.11 (206.0)               | 5.74 (145.8)            | .75 (19.1)               | 1.10 (27.9)          | 7.49 (190.2)                   | 1.25 (31.8) |
| A150C60-50  | 60            | 18   | 38  |                                     |                            |                         |                          |                      |                                |             |
| A150C75-50  | 75            | 30   | 60  |                                     |                            |                         |                          |                      |                                |             |
| A150C90-50  | 90            | 35   | 72  |                                     |                            |                         |                          |                      |                                |             |
| A150C100-50   | 100           | 52   | 105   |                                     |                            |                         |                          |                      |                                |             |
| A150C110-50   | 110           | 58   | 120   |                                     |                            |                         |                          |                      |                                |             |
| A150C120-50   | 120           | 73   | 150   |                                     |                            |                         |                          |                      |                                |             |
| A150C125-50   | 125           | 82   | 165   |                                     |                            |                         |                          |                      |                                |             |
| A150C130-50   | 130           | 90   | 190   |                                     |                            |                         |                          |                      |                                |             |
| A150C135-50   | 135           | 90   | 190   |                                     |                            |                         |                          |                      |                                |             |
| A150C140-50   | 140           | 105  | 220   |                                     |                            |                         |                          |                      |                                |             |
| A150C150-50   | 150           | 120  | 240   |                                     |                            |                         |                          |                      |                                |             |



### 2.5 KV CAPACITOR FUSES AMP-TRAP SERIES

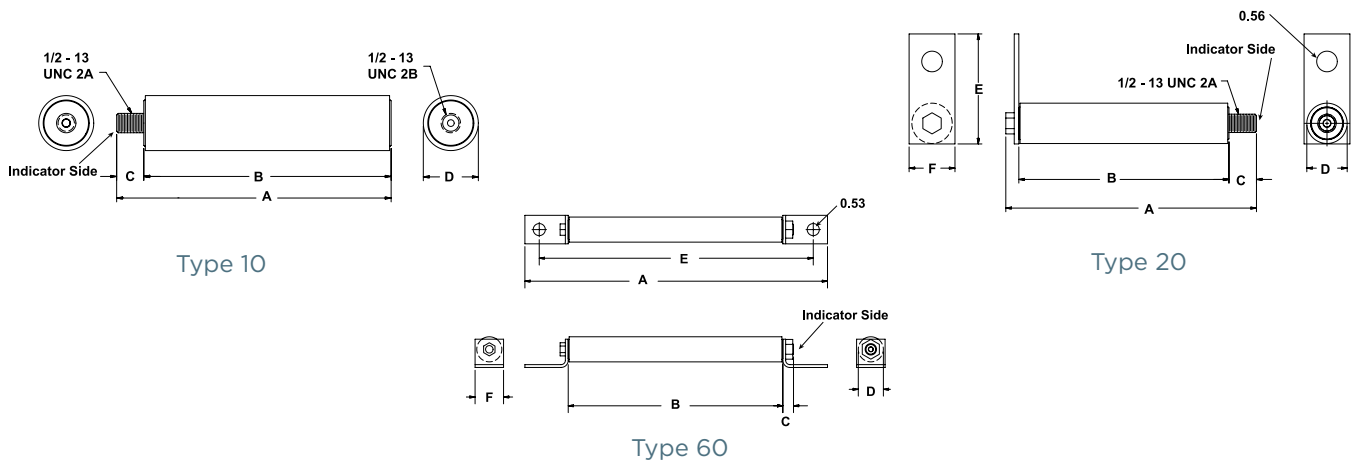
| Catalog Number  | Ampere Rating | Melting $I^2t$ (kA <sup>2</sup> s) | Maximum 1 Clearing $I^2t$ (kA <sup>2</sup> s) | Maximum 1 Phase Interrupting Rating | Overall Length Inches (mm) | Tube Length Inches (mm) | Ind. Housing Inches (mm) | Body Dia Inches (mm) | Bracket Dimensions Inches (mm) |             |
|---|---------------|------------------------------------|---|-------------------------------------|----------------------------|-------------------------|--------------------------|----------------------|--------------------------------|-------------|
| <b>2.5 kV Max Type 10 inner thread to screw</b>               |               |                                    |   |                                     | <b>A</b>                   | <b>B</b>                | <b>C</b>                 | <b>D</b>             | <b>E</b>                       | <b>F</b>    |
| A250C25-10  | 25            | 3                                  | 9   | 50 kA @2500V RMS Sym                | 7.67 [194.8]               | 6.92 [175.8]            | .75 [19.1]               | 1.42 [36.0]          |                                |             |
| A250C50-10  | 50            | 12                                 | 35  |                                     |                            |                         |                          |                      |                                |             |
| A250C65-10  | 65            | 18                                 | 60  |                                     |                            |                         |                          |                      |                                |             |
| A250C75-10  | 75            | 25                                 | 85  |                                     |                            |                         |                          |                      |                                |             |
| A250C80-10  | 80            | 25                                 | 85  |                                     |                            |                         |                          |                      |                                |             |
| A250C100-10   | 100           | 45                                 | 150   |                                     |                            |                         |                          |                      |                                |             |
| A250C110-10   | 110           | 60                                 | 190   |                                     |                            |                         |                          |                      |                                |             |
| A250C125-10   | 125           | 75                                 | 240   |                                     |                            |                         |                          |                      |                                |             |
| A250C135-10   | 135           | 115                                | 395   |                                     |                            |                         |                          |                      |                                |             |
| A250C150-10   | 150           | 130                                | 460   | 40 kA @2000V RMS Sym                | 7.67 [194.8]               | 6.92 [175.8]            | .75 [19.1]               | 1.42 [36.0]          |                                |             |
| A200C165-10   | 165           | 150                                | 350   |                                     |                            |                         |                          |                      |                                |             |
| A200C175-10   | 175           | 165                                | 440   |                                     |                            |                         |                          |                      |                                |             |
| A200C200-10   | 200           | 225                                | 500   |                                     |                            |                         |                          |                      |                                |             |
| <b>2.5 kV Max Type 30 external female to bolt (L bracket)</b> |               |                                    |   |                                     | <b>A</b>                   | <b>B</b>                | <b>C</b>                 | <b>D</b>             | <b>E</b>                       | <b>F</b>    |
| A250C25-30  | 25            | 3                                  | 9   | 50 kA @2500V RMS Sym                | 9.41 [239.0]               | 6.66 [169.2]            | .75 [19.1]               | 1.10 [27.9]          | 8.79 [223.2]                   | 1.25 [31.8] |
| A250C50-30  | 50            | 12                                 | 35  |                                     |                            |                         |                          |                      |                                |             |
| A250C65-30  | 65            | 18                                 | 60  |                                     |                            |                         |                          |                      |                                |             |
| A250C75-30  | 75            | 25                                 | 85  |                                     |                            |                         |                          |                      |                                |             |
| A250C80-30  | 80            | 25                                 | 85  |                                     |                            |                         |                          |                      |                                |             |
| A250C100-30   | 100           | 45                                 | 150   |                                     |                            |                         |                          |                      |                                |             |
| A250C110-30   | 110           | 60                                 | 190   |                                     |                            |                         |                          |                      |                                |             |
| A250C125-30   | 125           | 75                                 | 240   |                                     |                            |                         |                          |                      |                                |             |
| <b>2.5 kV Max Type 50 screw to bolt (L bracket)</b>           |               |                                    |   |                                     | <b>A</b>                   | <b>B</b>                | <b>C</b>                 | <b>D</b>             | <b>E</b>                       | <b>F</b>    |
| A250C25-50  | 25            | 3                                  | 9   | 50 kA @2500V RMS Sym                | 9.11 [231.4]               | 6.74 [171.2]            | .75 [19.1]               | 1.10 [27.9]          | 8.49 [215.6]                   | 1.25 [31.8] |
| A250C50-50  | 50            | 12                                 | 35  |                                     |                            |                         |                          |                      |                                |             |
| A250C65-50  | 65            | 18                                 | 60  |                                     |                            |                         |                          |                      |                                |             |
| A250C75-50  | 75            | 25                                 | 85  |                                     |                            |                         |                          |                      |                                |             |
| A250C80-50  | 80            | 25                                 | 85  |                                     |                            |                         |                          |                      |                                |             |
| A250C100-50   | 100           | 45                                 | 150   |                                     |                            |                         |                          |                      |                                |             |
| A250C110-50   | 110           | 60                                 | 190   |                                     |                            |                         |                          |                      |                                |             |
| A250C125-50   | 125           | 75                                 | 240   |                                     |                            |                         |                          |                      |                                |             |
| A250C135-50   | 135           | 115                                | 395   | 40 kA @2000V RMS Sym                | 9.29 [236.0]               | 6.92 [175.8]            | .75 [19.1]               | 1.42 [36.0]          | 8.67 [220.2]                   | 1.25 [31.8] |
| A250C150-50   | 150           | 130                                | 460   |                                     |                            |                         |                          |                      |                                |             |
| A200C165-50   | 165           | 150                                | 350   |                                     |                            |                         |                          |                      |                                |             |
| A200C175-50   | 175           | 165                                | 440   |                                     |                            |                         |                          |                      |                                |             |
| A200C200-50   | 200           | 225                                | 500   |                                     |                            |                         |                          |                      |                                |             |



MV

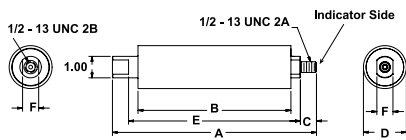
3.0 KV CAPACITOR FUSES AMP-TRAP SERIES

| Catalog Number   | Ampere Rating | Melting I <sup>2</sup> t (kA <sup>2</sup> s) | Maximum 1 Clearing I <sup>2</sup> t (kA <sup>2</sup> s) | Maximum 1 Phase Interrupting Rating | Overall Length Inches (mm) | Tube Length Inches (mm) | Ind. Housing Inches (mm) | Body Dia Inches (mm) | Bracket Dimensions Inches (mm) |             |
|--|---------------|--|---|-------------------------------------|----------------------------|-------------------------|--------------------------|----------------------|--------------------------------|-------------|
| <b>3.0 kV Max Type 10 inner thread to screw</b>                |               |  |   |                                     | A                          | B                       | C                        | D                    | E                              | F           |
| A300C50-10   | 50            | 12   | 35  | 50 kA @3000V<br>RMS Sym             | 10.16 (258.1)              | 9.33 (237.0)            | .75 (19.1)               | 1.10 (27.9)          |                                |             |
| A300C60-10   | 60            | 18   | 65  |                                     |                            |                         |                          |                      |                                |             |
| A300C75-10   | 75            | 26   | 80  |                                     |                            |                         |                          |                      |                                |             |
| A300C95-10   | 95            | 45   | 140   |                                     | 10.16 (258.1)              | 9.33 (237.0)            | .75 (19.1)               | 1.42 (36.0)          |                                |             |
| A300C100-10  | 100           | 45   | 140   |                                     |                            |                         |                          |                      |                                |             |
| A300C115-10  | 115           | 60   | 200   |                                     |                            |                         |                          |                      |                                |             |
| A300C125-10  | 125           | 75   | 260   |                                     |                            |                         |                          |                      |                                |             |
| A300C130-10  | 130           | 75   | 260   |                                     |                            |                         |                          |                      |                                |             |
| A300C150-10  | 150           | 105  | 350   |                                     |                            |                         |                          |                      |                                |             |
| A300C175-10  | 175           | 165  | 530   |                                     |                            |                         |                          |                      |                                |             |
| <b>3.0 kV Max Type 20 screw to bolt (flat bracket)</b>         |               |  |   |                                     | A                          | B                       | C                        | D                    | E                              | F           |
| A300C50-20   | 50            | 12   | 35  | 50 kA @3000V<br>RMS Sym             | 10.59 (269.1)              | 9.33 (237.0)            | .75 (19.1)               | 1.10 (27.9)          | 3.00 (76.2)                    | 1.25 (31.8) |
| A300C60-20   | 60            | 18   | 65  |                                     |                            |                         |                          |                      |                                |             |
| A300C75-20   | 75            | 26   | 80  |                                     |                            |                         |                          |                      |                                |             |
| A300C95-20   | 95            | 45   | 140   |                                     | 10.59 (269.0)              | 9.33 (237.0)            | .75 (19.1)               | 1.42 (36.0)          | 3.00 (76.2)                    | 1.25 (31.8) |
| A300C100-20  | 100           | 45   | 140   |                                     |                            |                         |                          |                      |                                |             |
| A300C115-20  | 115           | 60   | 200   |                                     |                            |                         |                          |                      |                                |             |
| A300C125-20  | 125           | 75   | 260   |                                     |                            |                         |                          |                      |                                |             |
| A300C130-20  | 130           | 75   | 260   |                                     |                            |                         |                          |                      |                                |             |
| A300C150-20  | 150           | 105  | 350   |                                     |                            |                         |                          |                      |                                |             |
| A300C175-20  | 175           | 165  | 530   |                                     |                            |                         |                          |                      |                                |             |
| <b>3.0 kV Max Type 60 bolt (L bracket) to bolt (L bracket)</b> |               |  |   |                                     | A                          | B                       | C                        | D                    | E                              | F           |
| A300C50-60   | 50            | 12   | 35  | 50 kA @3000V<br>RMS Sym             |                            |                         |                          |                      |                                |             |
| A300C60-60   | 60            | 18   | 65  |                                     |                            |                         |                          |                      |                                |             |
| A300C75-60   | 75            | 26   | 80  |                                     |                            |                         |                          |                      |                                |             |
| A300C95-60   | 95            | 45   | 140   |                                     | 13.27 (337.1)              | 9.41 (239.0)            | .47 (11.9)               | 1.42 (36.0)          | 12.02 (305.2)                  | 1.25 (31.8) |
| A300C100-60  | 100           | 45   | 140   |                                     |                            |                         |                          |                      |                                |             |
| A300C115-60  | 115           | 60   | 200   |                                     |                            |                         |                          |                      |                                |             |
| A300C125-60  | 125           | 75   | 260   |                                     |                            |                         |                          |                      |                                |             |
| A300C130-60  | 130           | 75   | 260   |                                     |                            |                         |                          |                      |                                |             |
| A300C150-60  | 150           | 105  | 350   |                                     |                            |                         |                          |                      |                                |             |
| A300C175-60  | 175           | 165  | 530   |                                     |                            |                         |                          |                      |                                |             |

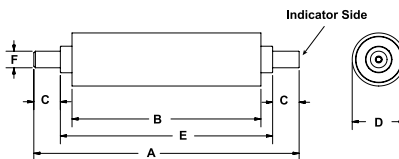


### 4.3 KV CAPACITOR FUSES AMP-TRAP SERIES

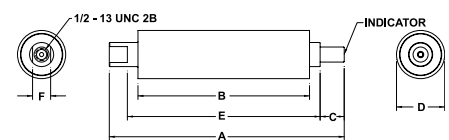
| Catalog Number                                     | Ampere Rating | Melting I <sup>2</sup> t (kA <sup>2</sup> s) | Maximum 1 Clearing I <sup>2</sup> t (kA <sup>2</sup> s) | Maximum 1 Phase Interrupting Rating | Overall Length Inches (mm) | Tube Length Inches (mm) | Ind. Housing Inches (mm) | Body Dia Inches (mm) | Bracket Dimensions Inches (mm) |             |
|--|---------------|--|---|-------------------------------------|----------------------------|-------------------------|--------------------------|----------------------|--------------------------------|-------------|
| <b>4.3 kV Max Type 15 external female to bolt</b>  |               |  |   |                                     | <b>A</b>                   | <b>B</b>                | <b>C</b>                 | <b>D</b>             | <b>E</b>                       | <b>F</b>    |
| A430C6-15  | 6             | 0.4  | 2.49  | 65 kA @4300V<br>RMS Sym             | 9.50 (241.3)               | 7.12 (180.8)            | .75 (19.1)               | 2.00 (50.8)          | 8.00 (203.2)                   | .75 (19.1)  |
| A430C8-15  | 8             | 0.73   | 4.31  |                                     |                            |                         |                          |                      |                                |             |
| A430C10-15   | 10            | 1.14   | 6.38  |                                     |                            |                         |                          |                      |                                |             |
| A430C12-15   | 12            | 1.6  | 8.64  |                                     |                            |                         |                          |                      |                                |             |
| A430C18-15   | 18            | 3  | 15  |                                     |                            |                         |                          |                      |                                |             |
| A430C20-15   | 20            | 4.5  | 22.1  |                                     |                            |                         |                          |                      |                                |             |
| A430C25-15   | 25            | 6.5  | 31.2  |                                     |                            |                         |                          |                      |                                |             |
| A430C30-15   | 30            | 7.7  | 36.2  |                                     |                            |                         |                          |                      |                                |             |
| A430C35-15   | 35            | 9  | 41.4  |                                     |                            |                         |                          |                      |                                |             |
| A430C45-15   | 45            | 12   | 54.6  |                                     |                            |                         |                          |                      |                                |             |
| A430C50-15   | 50            | 15   | 68  |                                     |                            |                         |                          |                      |                                |             |
| A430C65-15   | 65            | 29   | 84  |                                     |                            |                         |                          |                      |                                |             |
| A430C75-15   | 75            | 36   | 100   |                                     |                            |                         |                          |                      |                                |             |
| A430C80-15   | 80            | 42   | 120   |                                     |                            |                         |                          |                      |                                |             |
| A430C90-15   | 90            | 58   | 160   |                                     |                            |                         |                          |                      |                                |             |
| A430C100-15  | 100           | 66   | 180   |                                     |                            |                         |                          |                      |                                |             |
| <b>4.3 kV Max Type 70 tube to tube</b>             |               |  |   |                                     | <b>A</b>                   | <b>B</b>                | <b>C</b>                 | <b>D</b>             | <b>E</b>                       | <b>F</b>    |
| A430C6-70  | 6             | 0.4  | 2.49  | 65 kA @4300V<br>RMS Sym             | 10.00 (254.0)              | 7.12 (180.8)            | 1.00 (25.4)              | 2.00 (50.8)          | 8.00 (203.2)                   | .63 (15.9)  |
| A430C8-70  | 8             | 0.73   | 4.31  |                                     |                            |                         |                          |                      |                                |             |
| A430C10-70   | 10            | 1.14   | 6.38  |                                     |                            |                         |                          |                      |                                |             |
| A430C12-70   | 12            | 1.6  | 8.64  |                                     |                            |                         |                          |                      |                                |             |
| A430C18-70   | 18            | 3  | 15  |                                     |                            |                         |                          |                      |                                |             |
| A430C20-70   | 20            | 4.5  | 22.1  |                                     |                            |                         |                          |                      |                                |             |
| A430C25-70   | 25            | 6.5  | 31.2  |                                     |                            |                         |                          |                      |                                |             |
| A430C30-70   | 30            | 7.7  | 36.2  |                                     |                            |                         |                          |                      |                                |             |
| A430C35-70   | 35            | 9  | 41.4  |                                     |                            |                         |                          |                      |                                |             |
| A430C45-70   | 45            | 12   | 54.6  |                                     |                            |                         |                          |                      |                                |             |
| A430C50-70   | 50            | 15   | 68  |                                     |                            |                         |                          |                      |                                |             |
| A430C65-70   | 65            | 29   | 84  |                                     |                            |                         |                          |                      |                                |             |
| A430C75-70   | 75            | 36   | 100   |                                     |                            |                         |                          |                      |                                |             |
| A430C80-70   | 80            | 42   | 120   |                                     |                            |                         |                          |                      |                                |             |
| A430C90-70   | 90            | 58   | 160   |                                     |                            |                         |                          |                      |                                |             |
| A430C100-70  | 100           | 66   | 180   |                                     |                            |                         |                          |                      |                                |             |
| <b>4.35 kV Max Type 75 external female to tube</b> |               |  |   |                                     | <b>A</b>                   | <b>B</b>                | <b>C</b>                 | <b>D</b>             | <b>E</b>                       | <b>F</b>    |
| A430C6-75  | 6             | 0.4  | 2.49  | 65 kA @ 4300V<br>RMS Sym            | 9.75 (247.7)               | 7.12 (180.8)            | 1.00 (2.54)              | 2.00 (50.8)          | 8.00 (203.2)                   | 0.63 (15.9) |
| A430C8-75  | 8             | 0.73   | 4.31  |                                     |                            |                         |                          |                      |                                |             |
| A430C10-75   | 10            | 1.14   | 6.38  |                                     |                            |                         |                          |                      |                                |             |
| A430C12-75   | 12            | 1.6  | 8.64  |                                     |                            |                         |                          |                      |                                |             |
| A430C18-75   | 18            | 3  | 15  |                                     |                            |                         |                          |                      |                                |             |
| A430C20-75   | 20            | 4.5  | 22.1  |                                     |                            |                         |                          |                      |                                |             |
| A430C25-75   | 25            | 6.5  | 31.2  |                                     |                            |                         |                          |                      |                                |             |
| A430C30-75   | 30            | 7.7  | 36.2  |                                     |                            |                         |                          |                      |                                |             |
| A430C35-75   | 35            | 9  | 41.4  |                                     |                            |                         |                          |                      |                                |             |
| A430C45-75   | 45            | 12   | 54.6  |                                     |                            |                         |                          |                      |                                |             |
| A430C50-75   | 50            | 15   | 68  |                                     |                            |                         |                          |                      |                                |             |
| A430C65-75   | 65            | 29   | 84  |                                     |                            |                         |                          |                      |                                |             |
| A430C75-75   | 75            | 36   | 100   |                                     |                            |                         |                          |                      |                                |             |
| A430C80-75   | 80            | 42   | 120   |                                     |                            |                         |                          |                      |                                |             |
| A430C90-75   | 90            | 58   | 160   |                                     |                            |                         |                          |                      |                                |             |
| A430C100-75  | 100           | 66   | 180   |                                     |                            |                         |                          |                      |                                |             |



Type 15



Type 70

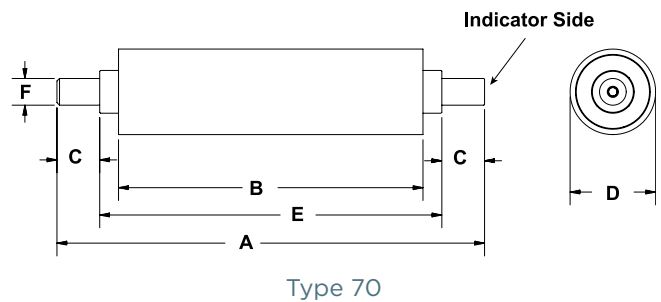
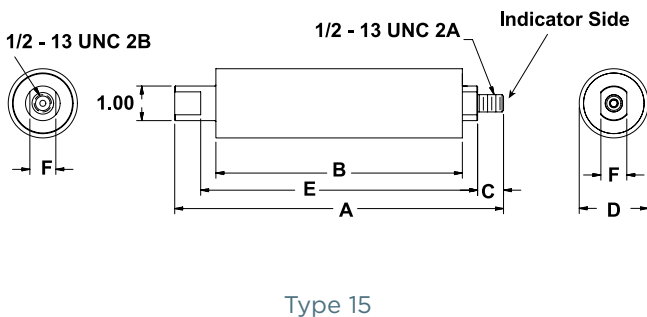


Type 75

MV

5.5 KV CAPACITOR FUSES AMP-TRAP SERIES

| Catalog Number                                    | Ampere Rating | Melting I <sup>2</sup> t (kA <sup>2</sup> s) | Maximum 1 Clearing I <sup>2</sup> t (kA <sup>2</sup> s) | Maximum 1 Phase Interrupting Rating | Overall Length Inches (mm) | Tube Length Inches (mm) | Ind. Housing Inches (mm) | Body Dia Inches (mm) | Bracket Dimensions Inches (mm) |            |
|---|---------------|--|---|-------------------------------------|----------------------------|-------------------------|--------------------------|----------------------|--------------------------------|------------|
| <b>5.5 kV Max Type 15 external female to bolt</b> |               |  |   |                                     | <b>A</b>                   | <b>B</b>                | <b>C</b>                 | <b>D</b>             | <b>E</b>                       | <b>F</b>   |
| A550C6-15   | 6             | 0.4  | 2.49  | 65 kA @ 5500V<br>RMS Sym            | 9.50 (241.3)               | 7.12 (180.8)            | .75 (19.1)               | 2.00 (50.8)          | 8.00 (203.2)                   | .75 (19.1) |
| A550C8-15   | 8             | 0.73   | 4.31  |                                     |                            |                         |                          |                      |                                |            |
| A550C10-15  | 10            | 1.14   | 6.38  |                                     |                            |                         |                          |                      |                                |            |
| A550C12-15  | 12            | 1.6  | 8.64  |                                     |                            |                         |                          |                      |                                |            |
| A550C18-15  | 18            | 3  | 15  |                                     |                            |                         |                          |                      |                                |            |
| A550C20-15  | 20            | 4.5  | 22.1  |                                     |                            |                         |                          |                      |                                |            |
| A550C25-15  | 25            | 6.5  | 31.2  |                                     |                            |                         |                          |                      |                                |            |
| A550C30-15  | 30            | 7.7  | 36.2  | 50 kA @ 5500V<br>RMS Sym            |                            |                         |                          |                      |                                |            |
| A550C35-15  | 35            | 9  | 41.4  |                                     |                            |                         |                          |                      |                                |            |
| A550C40-15  | 40            | 12   | 54.6  |                                     |                            |                         |                          |                      |                                |            |
| A550C50-15  | 50            | 15   | 68  |                                     |                            |                         |                          |                      |                                |            |
| A550C65-15  | 65            | 35   | 156   |                                     |                            |                         |                          |                      |                                |            |
| A550C75-15  | 75            | 43   | 186   |                                     |                            |                         |                          |                      |                                |            |
| <b>5.5 kV Max Type 70 tube to tube</b>            |               |  |   |                                     | <b>A</b>                   | <b>B</b>                | <b>C</b>                 | <b>D</b>             | <b>E</b>                       | <b>F</b>   |
| A550C6-70   | 6             | 0.4  | 2.49  | 65 kA @ 5500V<br>RMS Sym            | 10.00 (254.0)              | 7.12 (180.8)            | 1.00 (25.4)              | 2.00 (50.8)          | 8.00 (203.2)                   | .63 (15.9) |
| A550C8-70   | 8             | 0.73   | 4.31  |                                     |                            |                         |                          |                      |                                |            |
| A550C10-70  | 10            | 1.14   | 6.38  |                                     |                            |                         |                          |                      |                                |            |
| A550C12-70  | 12            | 1.6  | 8.64  |                                     |                            |                         |                          |                      |                                |            |
| A550C18-70  | 18            | 3  | 15  |                                     |                            |                         |                          |                      |                                |            |
| A550C20-70  | 20            | 4.5  | 22.1  |                                     |                            |                         |                          |                      |                                |            |
| A550C25-70  | 25            | 6.5  | 31.2  |                                     |                            |                         |                          |                      |                                |            |
| A550C30-70  | 30            | 7.7  | 36.2  |                                     |                            |                         |                          |                      |                                |            |
| A550C35-70  | 35            | 9  | 41.4  |                                     |                            |                         |                          |                      |                                |            |
| A550C40-70  | 40            | 12   | 54.6  |                                     |                            |                         |                          |                      |                                |            |
| A550C50-70  | 50            | 15   | 68  |                                     |                            |                         |                          |                      |                                |            |
| A550C65-70  | 65            | 35   | 156   |                                     |                            |                         |                          |                      |                                |            |
| A550C75-70  | 75            | 43   | 186   |                                     |                            |                         |                          |                      |                                |            |

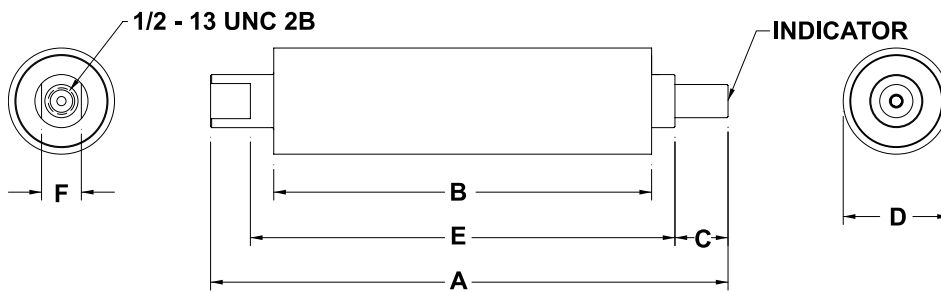


### 5.5KV / 9.52KV CAPACITOR FUSES AMP-TRAP SERIES

#### 5.5kV Capacitor Fuses - Amp-Trap Series

| Catalog Number                                    | Ampere Rating | Melting I <sup>2</sup> t [kA <sup>2</sup> s] | Maximum Clearing I <sup>2</sup> t [kA <sup>2</sup> s] | Maximum 1 Phase Interrupting Rating (kA) | Overall Length Inches (mm) | Tube Length Inches (mm) | Indicator Housing Inches (mm) | Body Dia Inches (mm) | Inches (mm)  | Inches (mm) |
|---|---------------|--|---|--|----------------------------|-------------------------|-------------------------------|----------------------|--------------|-------------|
| <b>5.5 kV Max Type 75 external female to tube</b> |               |  |   |  | <b>A</b>                   | <b>B</b>                | <b>C</b>                      | <b>D</b>             | <b>E</b>     | <b>F</b>    |
| A550C6-75   | 6             | 0.4  | 2.49  | 65 kA @ 5500V RMS Sym                    | 9.75 (247.7)               | 7.12 (180.8)            | 1.00 (2.54)                   | 2.00 (50.8)          | 8.00 (203.2) | 0.63 (15.9) |
| A550C8-75   | 8             | 0.73   | 4.31  |  |                            |                         |                               |                      |              |             |
| A550C10-75  | 10            | 1.14   | 6.38  |  |                            |                         |                               |                      |              |             |
| A550C12-75  | 12            | 1.6  | 8.64  |  |                            |                         |                               |                      |              |             |
| A550C18-75  | 18            | 3  | 15  |  |                            |                         |                               |                      |              |             |
| A550C20-75  | 20            | 4.5  | 22.1  |  |                            |                         |                               |                      |              |             |
| A550C25-75  | 25            | 6.5  | 31.2  |  |                            |                         |                               |                      |              |             |
| A550C30-75  | 30            | 7.7  | 36.2  |  |                            |                         |                               |                      |              |             |
| A550C35-75  | 35            | 9  | 41.4  |  |                            |                         |                               |                      |              |             |
| A550C40-75  | 40            | 12   | 54.6  |  |                            |                         |                               |                      |              |             |
| A550C50-75  | 50            | 15   | 68  | 50 kA @ 5500V RMS Sym                    |                            |                         |                               |                      |              |             |
| A550C65-75  | 65            | 35   | 156   |  |                            |                         |                               |                      |              |             |
| A550C75-75  | 75            | 43   | 186   |  |                            |                         |                               |                      |              |             |

Type 75



#### 5.5kV Capacitor fuses - 9F60 series, EJO-5

12" (305 mm) Clip Centers clip-in mounting\* - Suitable for use indoors or outdoors



| Catalog No. | Amp Rating | No. of Barrels | Indicating | Diameter Inches (mm) | Length Inches (mm) | Max Voltage | Max IR RMS Sym |
|-------------|------------|----------------|------------|----------------------|--------------------|-------------|----------------|
| 9F60RJD025  | 25A        | 1              | Yes        | 2.08 (20.8)          | 14.0 (356)         | 5.5 kV      | 50kA           |
| 9F60RJD040  | 40A        |                |            |                      |                    |             |                |
| 9F60RJD080  | 80A        |                |            |                      |                    |             |                |

#### 9.52kV Capacitor fuses - 9F60 series, EJO-5

12" (305 mm) Clip Centers clip-in mounting\* - Suitable for use indoors or outdoors



| Catalog No. | Amp Rating | No. of Barrels | Indicating | Diameter Inches (mm) | Length Inches (mm) | Max Voltage | Max IR RMS Sym |
|-------------|------------|----------------|------------|----------------------|--------------------|-------------|----------------|
| 9F60RJF015  | 15A        | 1              | Yes        | 2.08 (20.8)          | 14.0 (356)         | 9.25 kV     | 50kA           |
| 9F60RJF025  | 25A        |                |            |                      |                    |             |                |
| 9F60RJF040  | 40A        |                |            |                      |                    |             |                |

\*EJO-5 Capacitor fuses are typically mounted directly on the capacitor.